
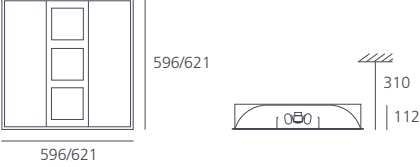







BOLERO



- RECESSED LUMINAIRE USING 2x55W TC-LEL FLUORESCENT LAMPS.
- MAIN REFLECTOR IN STEEL WITH A WHITE PAINT FINISH.
- POLISHED ALUMINIUM SCREEN EQUIPPED WITH A **PRISMOPTIC** POLYCARBONATE DIFFUSER.
- FOR INSTALLATION INTO FALSE CEILING SYSTEMS WITH 600x600MM AND 625x625MM MODULES, OR INTO PLASTERBOARD FALSE CEILINGS USING A SPECIAL RECESSING FRAME (OPTIONAL).
- LAMPS CAN BE MAINTAINED WITHOUT THE NEED FOR TOOLS.
- ELECTRONIC OR DALI-SWITCHDIM DIMMABLE ELECTRONIC BALLAST. OPTIONAL EMERGENCY LIGHTING.
- COMPLIES WITH STANDARD EN60598-1 AND OTHER SPECIFIC STANDARDS.

BOLERO

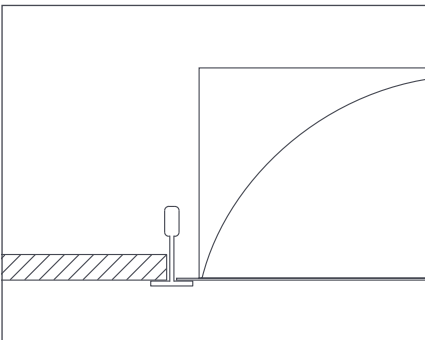
		   		
		TC-LEL (2G11)		
	CODE	LIGHT SOURCE	FALSE CEILING	WEIGHT
	M162400	TC-LEL (2G11) 2x55W non dimmable	600x600mm	6,90kg
	M162401	TC-LEL (2G11) 2x55W dimmable DALI	600x600mm	6,90kg
	M162407	TC-LEL (2G11) 2x55W non dimmable + emergency 1h	600x600mm	7,50kg
	M162402	TC-LEL (2G11) 2x55W non dimmable	625x625mm	7,30kg
	M162421	TC-LEL (2G11) 2x55W dimmable DALI	625x625mm	7,30kg

photometric data: see page 424.

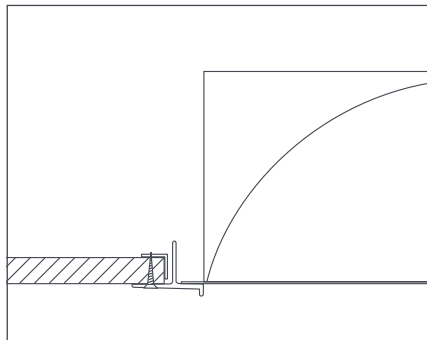
BOLERO ACCESSORIES

	Recess frame for installation into plaster false ceiling.		INTERACTIVE-DALI components: see page 409.
	M160600 600x600mm.  606x606mm. 0,90kg M160602 625x625mm.  633x633mm. 0,94kg		

BOLERO INSTALLATION



INSTALLATION WITH LUMINAIRE INCORPORATED INTO THE 600/625 MODULAR CEILING STRUCTURE.



INSTALLATION INTO PLASTER CEILING WITH OPTIONAL RECESS FRAME (M160600 OR M160602).