

# ERMES


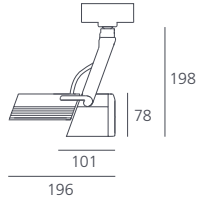


design MICHEL TORTEL



- A RANGE OF DIRECTIONAL SPOTLIGHTS USING 12V HALOGEN AND METAL HALIDE LAMPS.
- 2 OPTIONS AVAILABLE: WITH THREE-PHASE TRACK ADAPTER, AND WITH BASE PLATE.
- ALUMINIUM BODY COMPRISED OF AN OPTICAL AND POWER SUPPLY UNIT.
- OPTICAL UNIT AVAILABLE IN 2 DIAMETER OPTIONS DEPENDING ON THE LIGHT SOURCE: Ø78MM AND Ø155MM.
- TILT ANGLE OF UP TO 90°, ROTATION OF UP TO 355°.
- ELECTRONIC TRANSFORMER. FERROMAGNETIC BALLAST.
- SAFETY GLASS WITH HIT VERSION.
- WIDE RANGE OF ACCESSORIES.
- COMPLIES WITH STANDARD EN60598-1 AND OTHER SPECIFIC STANDARDS.



## ERMES 78


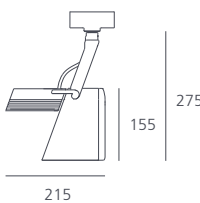


			IP20 850° ○ white <b>0</b> ● metal grey <b>6</b>								
				QR-CBC51 (GU5,3) 							
<table border="1"> <thead> <tr> <th>CODE</th> <th>LIGHT SOURCE</th> <th>VERSION</th> <th>WEIGHT</th> </tr> </thead> <tbody> <tr> <td><b>M0203.3</b></td> <td>QR-CBC51 (GU5,3) 12V max50W</td> <td>3-circuit track adapter</td> <td>1,20kg</td> </tr> </tbody> </table>		CODE	LIGHT SOURCE	VERSION	WEIGHT	<b>M0203.3</b>	QR-CBC51 (GU5,3) 12V max50W	3-circuit track adapter	1,20kg	Integral electronic transformer 20-50W, 230-240V/12V. Class II. Dimmable by trailing edge external dimmers.	
CODE	LIGHT SOURCE	VERSION	WEIGHT								
<b>M0203.3</b>	QR-CBC51 (GU5,3) 12V max50W	3-circuit track adapter	1,20kg								

3-circuit tracks: see page 57.

## ERMES 78 ACCESSORIES

	<b>M08.127</b> Adjustable dowser.  ○ white <b>0</b> ● metal grey <b>6</b>		<b>M081147</b> Light-shade grill. Black.
	<b>M08.137</b> Wall washer screen.  ○ white <b>0</b> ● metal grey <b>6</b>		Coloured filter. Ø48mm. <b>M080305</b> Yellow. <b>M080315</b> Blue. <b>M080325</b> Red. <b>M080335</b> Green.

## ERMES 155 HALO


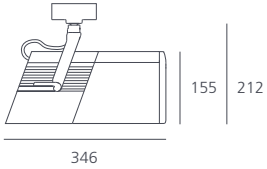


			IP20 850° ○ white <b>0</b> ● metal grey <b>6</b>												
				QR111 (G53) 											
<table border="1"> <thead> <tr> <th>CODE</th> <th>LIGHT SOURCE</th> <th>VERSION</th> <th>WEIGHT</th> </tr> </thead> <tbody> <tr> <td><b>M0204.3</b></td> <td>QR111 (G53) 12V max100W</td> <td>3-circuit track adapter</td> <td>1,50kg</td> </tr> <tr> <td><b>M0204.1</b></td> <td>QR111 (G53) 12V max100W</td> <td>base plate</td> <td>1,50kg</td> </tr> </tbody> </table>		CODE	LIGHT SOURCE	VERSION	WEIGHT	<b>M0204.3</b>	QR111 (G53) 12V max100W	3-circuit track adapter	1,50kg	<b>M0204.1</b>	QR111 (G53) 12V max100W	base plate	1,50kg	Integral electronic transformer 35-100W, 230-240V/12V. Class II. Dimmable by trailing edge external dimmers.	
CODE	LIGHT SOURCE	VERSION	WEIGHT												
<b>M0204.3</b>	QR111 (G53) 12V max100W	3-circuit track adapter	1,50kg												
<b>M0204.1</b>	QR111 (G53) 12V max100W	base plate	1,50kg												

3-circuit tracks: see page 57.



ASTON MARTIN SHOWROOM, PARIS (F), HÉLÈNE AZIZA.  
 PAGE 47: HQ'S TOYOTA MOTORS ITALIA, ROME (I), SHIGERU IWAKIRI - KENZO TANGE ASSOCIATES

# ERMES 155 HIT

			Ⓢ ⚡ IP20 850° ○ white 0 ● metal grey 6																		
			HIT-CE (G12) 	<table border="1"> <thead> <tr> <th>CODE</th> <th>LIGHT SOURCE</th> <th>VERSION</th> <th>WEIGHT</th> </tr> </thead> <tbody> <tr> <td><b>M0590.3</b></td> <td>HIT-CE (G12) 70W 2x12°</td> <td>3-circuit track adapter</td> <td>3,80kg</td> </tr> <tr> <td><b>M0590.1</b></td> <td>HIT-CE (G12) 70W 2x12°</td> <td>base plate</td> <td>3,80kg</td> </tr> <tr> <td><b>M0594.3</b></td> <td>HIT-CE (G12) 150W 2x16°</td> <td>3-circuit track adapter</td> <td>4,80kg</td> </tr> <tr> <td><b>M0594.1</b></td> <td>HIT-CE (G12) 150W 2x16°</td> <td>base plate</td> <td>4,80kg</td> </tr> </tbody> </table>	CODE	LIGHT SOURCE	VERSION	WEIGHT	<b>M0590.3</b>	HIT-CE (G12) 70W 2x12°	3-circuit track adapter	3,80kg	<b>M0590.1</b>	HIT-CE (G12) 70W 2x12°	base plate	3,80kg	<b>M0594.3</b>	HIT-CE (G12) 150W 2x16°	3-circuit track adapter	4,80kg	<b>M0594.1</b>
CODE	LIGHT SOURCE	VERSION	WEIGHT																		
<b>M0590.3</b>	HIT-CE (G12) 70W 2x12°	3-circuit track adapter	3,80kg																		
<b>M0590.1</b>	HIT-CE (G12) 70W 2x12°	base plate	3,80kg																		
<b>M0594.3</b>	HIT-CE (G12) 150W 2x16°	3-circuit track adapter	4,80kg																		
<b>M0594.1</b>	HIT-CE (G12) 150W 2x16°	base plate	4,80kg																		

3-circuit tracks: see page 57.  
photometric data: see page 414.

## ERMES 155 ACCESSORIES

	<b>M081157</b> Anti-dazzle ring. Ø155mm. Black.		<b>M086835</b> Filter-holder + sanded glass filter. Ø140mm.
	<b>M081167</b> Wall washer screen. Ø155mm. Black.		



1 DIE-CAST ALLUMINIUM BODY WITH INTEGRAL CONTROL GEAR.  
 2 LIGHT SOURCE.  
 3 SUPER-PURE ALUMINIUM REFLECTOR.  
 4 SAFETY GLASS.  
 5 ALUMINIUM RING HOLDING THE OPTICAL UNIT.