

KALIFA - KALIFA II

design ERNESTO GISMONDI

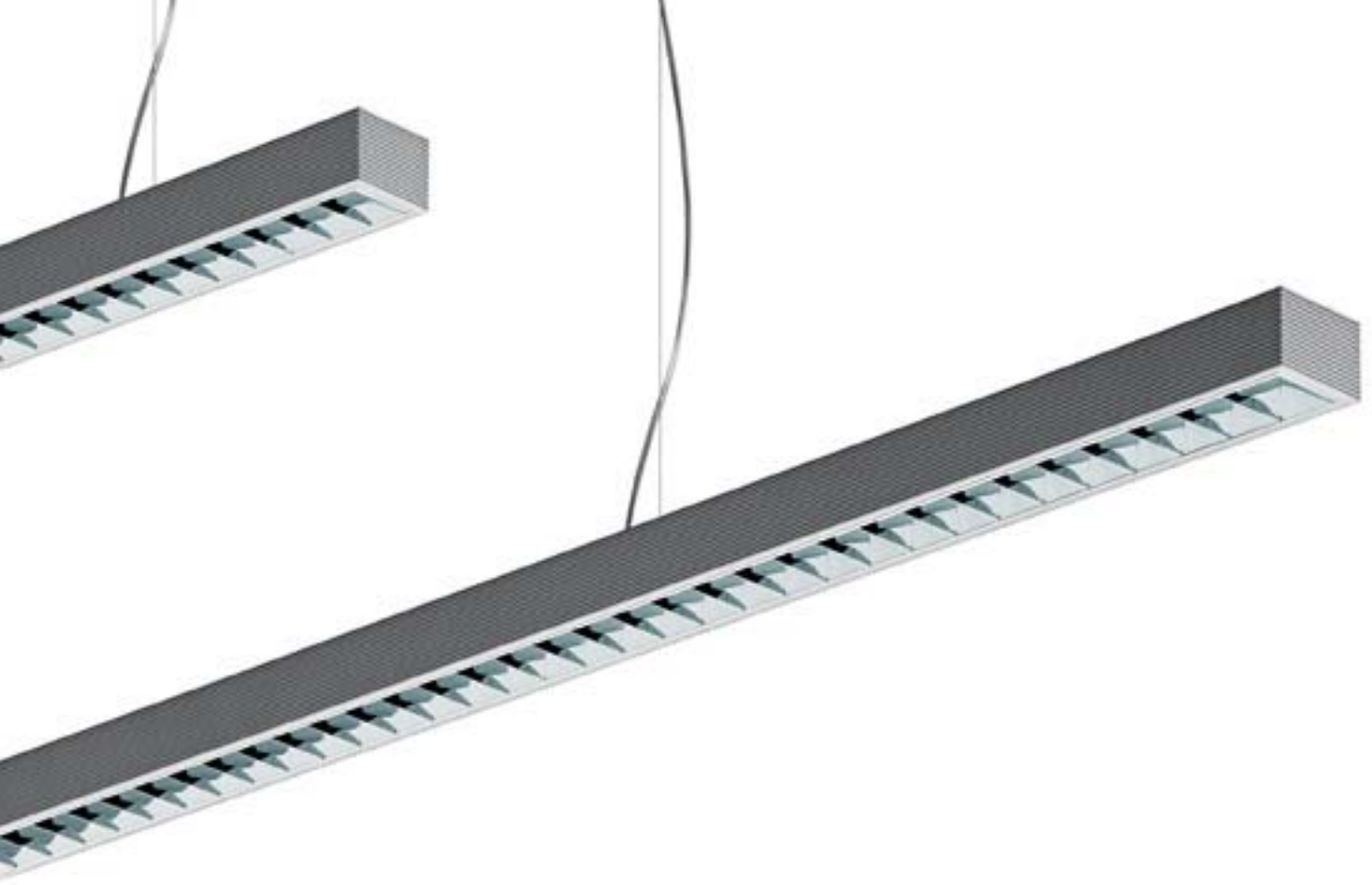





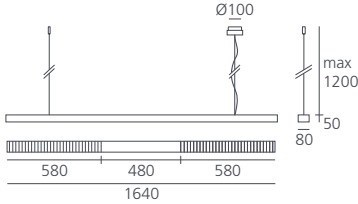


KALIFA II SUSPENSION DUAL EMISSION



- SINGLE PENDANT LIGHT WITH DIRECT-INDIRECT LIGHTING USING 2x24W AND 2x54W T16 FLUORESCENT LIGHT SOURCE.
- EXTRUDED ALUMINIUM BODY WITH A WHITE OR GREY PAINT FINISH, AVAILABLE IN LENGTHS OF 1640MM AND 2900MM.
- SUPER PURE ALUMINIUM DARK LIGHT OPTICS.
- LIGHT OUTPUT RATIO: 92%. LIGHT DISTRIBUTION: 30% INDIRECT AND 70% DIRECT.
- DARK LIGHT EMISSION IS IN COMPLIANCE WITH EN12464-1 STANDARD, WITH AVERAGE LUMINANCE LEVELS LOWER THAN THE 1000CD/M² LIMIT FOR AN OBSERVATION ANGLE OF 65° OR ABOVE WITH RESPECT TO THE VERTICAL AXIS.
- ELECTRONIC CONTROL GEAR, OR DALI-SWITCHDIM DIMMABLE ELECTRONIC CONTROL GEAR.
- QUICK ADJUSTMENT STEEL SUSPENSION CABLES.
- COMPLIES WITH STANDARD EN60598-1 AND OTHER SPECIFIC STANDARDS.


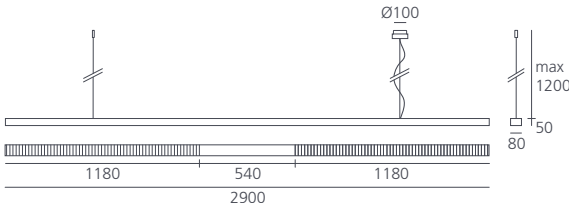




KALIFA II SUSPENSION 1640 DUAL EMISSION

											
	<p>   IP20 960° ○ white 2 ● grey 9 </p>										
T16 (G5)	<table border="1"> <thead> <tr> <th>CODE</th> <th>LIGHT SOURCE</th> <th>WEIGHT</th> </tr> </thead> <tbody> <tr> <td>M1671.0</td> <td>T16 (G5) 2x24W non dimmable</td> <td>4,80kg</td> </tr> <tr> <td>M1671.1</td> <td>T16 (G5) 2x14-24W dimmable DALI</td> <td>4,80kg</td> </tr> </tbody> </table>	CODE	LIGHT SOURCE	WEIGHT	M1671.0	T16 (G5) 2x24W non dimmable	4,80kg	M1671.1	T16 (G5) 2x14-24W dimmable DALI	4,80kg	
CODE	LIGHT SOURCE	WEIGHT									
M1671.0	T16 (G5) 2x24W non dimmable	4,80kg									
M1671.1	T16 (G5) 2x14-24W dimmable DALI	4,80kg									

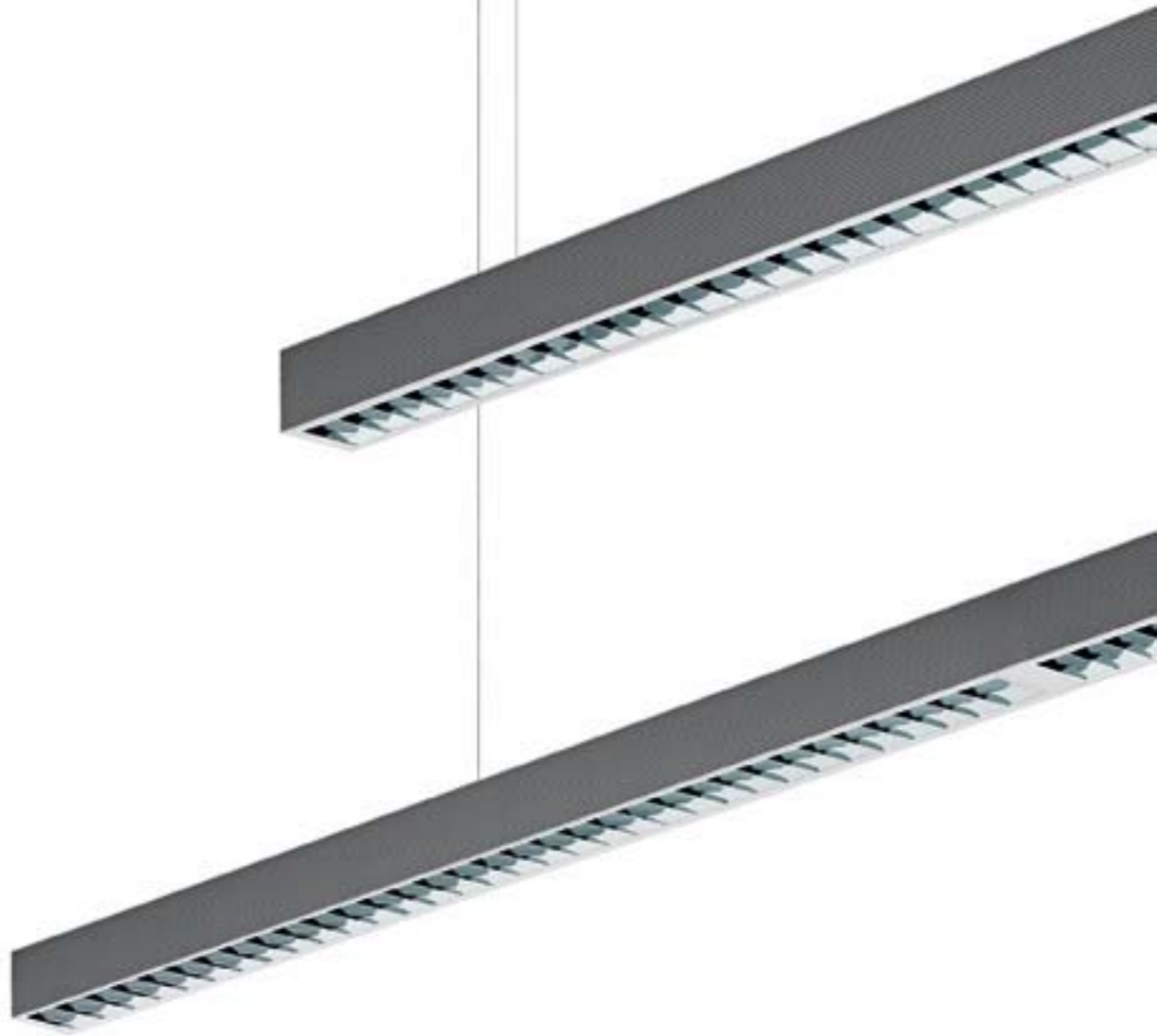
photometric data: see page 432.

KALIFA II SUSPENSION 2900 DUAL EMISSION

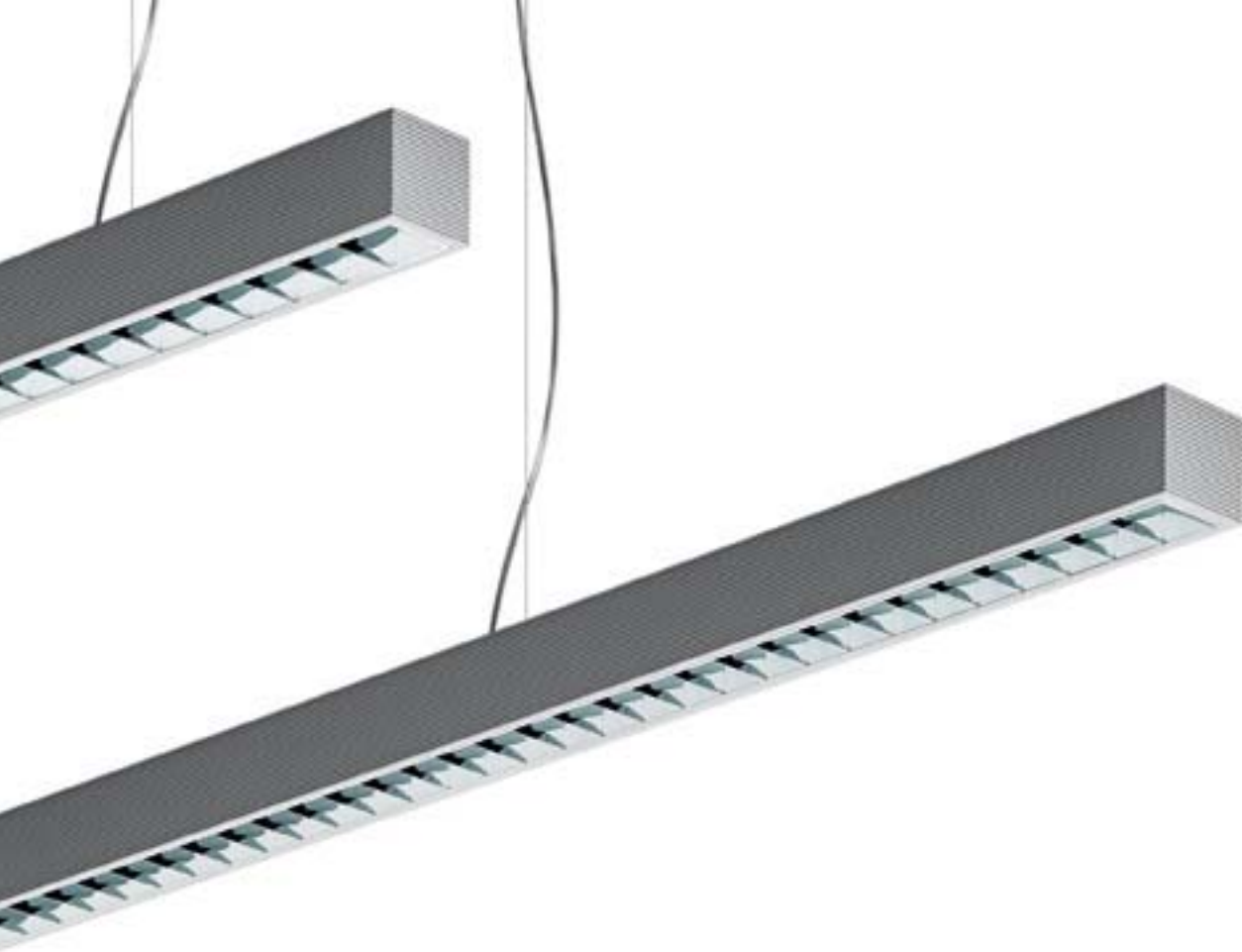
											
	<p>   IP20 960° ○ white 2 ● grey 9 </p>										
T16 (G5)	<table border="1"> <thead> <tr> <th>CODE</th> <th>LIGHT SOURCE</th> <th>WEIGHT</th> </tr> </thead> <tbody> <tr> <td>M1672.0</td> <td>T16 (G5) 2x54W non dimmable</td> <td>8,40kg</td> </tr> <tr> <td>M1672.1</td> <td>T16 (G5) 2x28-54W dimmable DALI</td> <td>8,40kg</td> </tr> </tbody> </table>	CODE	LIGHT SOURCE	WEIGHT	M1672.0	T16 (G5) 2x54W non dimmable	8,40kg	M1672.1	T16 (G5) 2x28-54W dimmable DALI	8,40kg	
CODE	LIGHT SOURCE	WEIGHT									
M1672.0	T16 (G5) 2x54W non dimmable	8,40kg									
M1672.1	T16 (G5) 2x28-54W dimmable DALI	8,40kg									

photometric data: see page 432.

KALIFA II SUSPENSION DIRECT EMISSION



- SINGLE PENDANT LIGHT WITH DIRECT LIGHTING USING 28W AND 54W T16 FLUORESCENT LIGHT SOURCE.
- EXTRUDED ALUMINIUM BODY WITH A WHITE OR GREY PAINT FINISH, AVAILABLE IN LENGTHS OF 1188MM (1xT16) AND 2400MM (2xT16).
- SUPER PURE ALUMINIUM DARK LIGHT OPTICS.
- LIGHT OUTPUT RATIO: 82%.
- DARK LIGHT EMISSION IS IN COMPLIANCE WITH EN12464-1 STANDARD, WITH AVERAGE LUMINANCE LEVELS LOWER THAN THE 1000CD/M² LIMIT FOR AN OBSERVATION ANGLE OF 65° OR ABOVE WITH RESPECT TO THE VERTICAL AXIS.
- ELECTRONIC CONTROL GEAR, OR DALI-SWITCHDIM DIMMABLE ELECTRONIC CONTROL GEAR. EMERGENCY LIGHTING ON REQUEST.
- QUICK ADJUSTMENT STEEL SUSPENSION CABLES.
- COMPLIES WITH STANDARD EN60598-1 AND OTHER SPECIFIC STANDARDS.



KALIFA II SUSPENSION 1200 DIRECT EMISSION

	<p> IP20 960° white 2 grey 9 </p>															
<p>T16 (G5)</p>	<table border="1"> <thead> <tr> <th>CODE</th> <th>LIGHT SOURCE</th> <th>WEIGHT</th> </tr> </thead> <tbody> <tr> <td>M1667.0</td> <td>T16 (G5) 1x28W non dimmable</td> <td>5,10kg</td> </tr> <tr> <td>M1669.0</td> <td>T16 (G5) 1x54W non dimmable</td> <td>5,10kg</td> </tr> <tr> <td>M1667.1</td> <td>T16 (G5) 1x28W dimmable DALI</td> <td>5,10kg</td> </tr> <tr> <td>M1669.1</td> <td>T16 (G5) 1x54W dimmable DALI</td> <td>5,10kg</td> </tr> </tbody> </table>	CODE	LIGHT SOURCE	WEIGHT	M1667.0	T16 (G5) 1x28W non dimmable	5,10kg	M1669.0	T16 (G5) 1x54W non dimmable	5,10kg	M1667.1	T16 (G5) 1x28W dimmable DALI	5,10kg	M1669.1	T16 (G5) 1x54W dimmable DALI	5,10kg
CODE	LIGHT SOURCE	WEIGHT														
M1667.0	T16 (G5) 1x28W non dimmable	5,10kg														
M1669.0	T16 (G5) 1x54W non dimmable	5,10kg														
M1667.1	T16 (G5) 1x28W dimmable DALI	5,10kg														
M1669.1	T16 (G5) 1x54W dimmable DALI	5,10kg														

photometric data: see page 433.

KALIFA II SUSPENSION 2400 DIRECT EMISSION

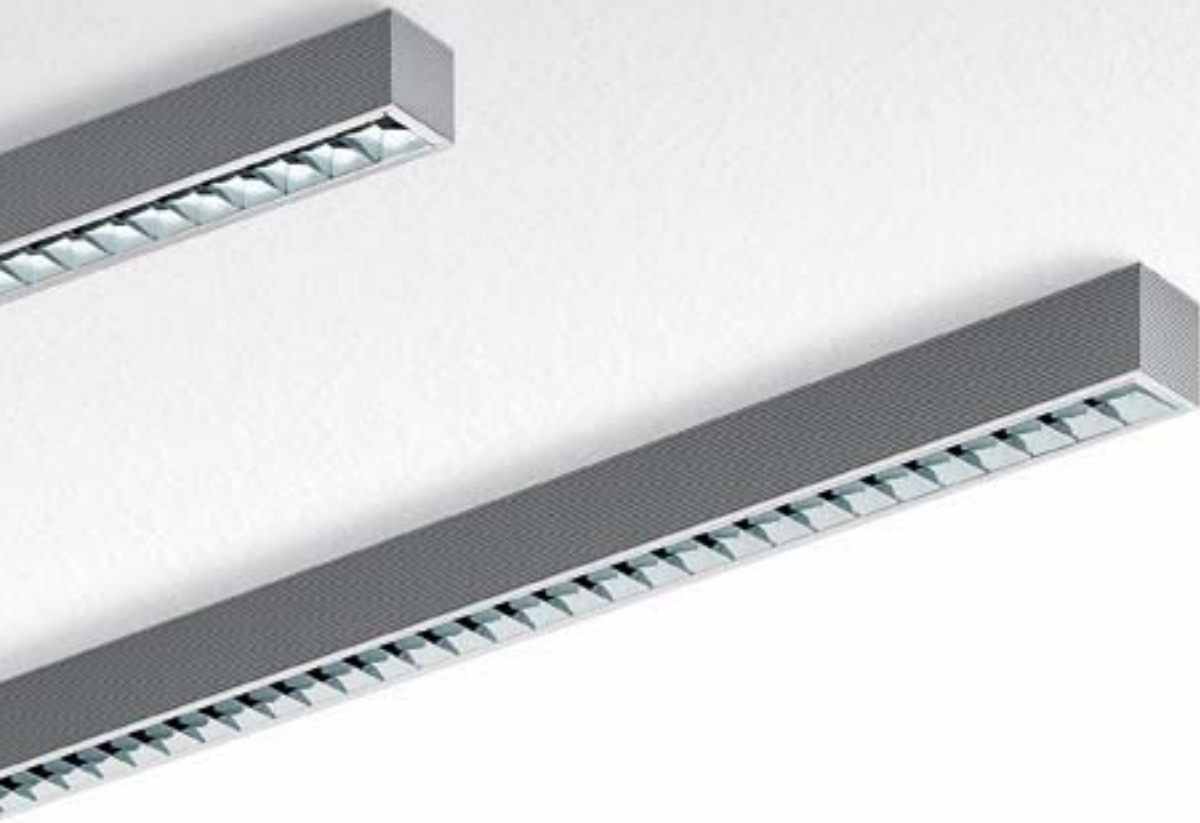
	<p> IP20 960° white 2 grey 9 </p>												
<p>T16 (G5)</p>	<table border="1"> <thead> <tr> <th>CODE</th> <th>LIGHT SOURCE</th> <th>WEIGHT</th> </tr> </thead> <tbody> <tr> <td>M1668.0</td> <td>T16 (G5) 2x28W non dimmable</td> <td>8,90kg</td> </tr> <tr> <td>M1670.0</td> <td>T16 (G5) 2x54W non dimmable</td> <td>8,90kg</td> </tr> <tr> <td>M1670.1</td> <td>T16 (G5) 2x28-54W dimmable DALI</td> <td>8,90kg</td> </tr> </tbody> </table>	CODE	LIGHT SOURCE	WEIGHT	M1668.0	T16 (G5) 2x28W non dimmable	8,90kg	M1670.0	T16 (G5) 2x54W non dimmable	8,90kg	M1670.1	T16 (G5) 2x28-54W dimmable DALI	8,90kg
CODE	LIGHT SOURCE	WEIGHT											
M1668.0	T16 (G5) 2x28W non dimmable	8,90kg											
M1670.0	T16 (G5) 2x54W non dimmable	8,90kg											
M1670.1	T16 (G5) 2x28-54W dimmable DALI	8,90kg											

photometric data: see page 433.

KALIFA II CEILING



- SINGLE CEILING LIGHT USING 28W AND 54W T16 FLUORESCENT LIGHT SOURCE.
- EXTRUDED ALUMINIUM BODY WITH A WHITE OR GREY PAINT FINISH, AVAILABLE IN LENGTHS OF 1188MM (1xT16) AND 2400MM (2xT16).
- SUPER PURE ALUMINIUM DARK LIGHT OPTICS.
- LIGHT OUTPUT RATIO: 82%.
- DARK LIGHT EMISSION IS IN COMPLIANCE WITH EN12464-1 STANDARD, WITH AVERAGE LUMINANCE LEVELS LOWER THAN THE 1000CD/M² LIMIT FOR AN OBSERVATION ANGLE OF 65° OR ABOVE WITH RESPECT TO THE VERTICAL AXIS.
- ELECTRONIC CONTROL GEAR, OR DALI-SWITCHDIM DIMMABLE ELECTRONIC CONTROL GEAR. EMERGENCY LIGHTING ON REQUEST.
- COMPLIES WITH STANDARD EN60598-1 AND OTHER SPECIFIC STANDARDS.



KALIFA II CEILING 1200

		<p>IP20 960° ○ white 2 ● grey 9</p>															
<p>T16 (G5)</p>	<table border="1"> <thead> <tr> <th>CODE</th> <th>LIGHT SOURCE</th> <th>WEIGHT</th> </tr> </thead> <tbody> <tr> <td>M1813.0</td> <td>T16 (G5) 1x28W non dimmable</td> <td>5,10kg</td> </tr> <tr> <td>M1815.0</td> <td>T16 (G5) 1x54W non dimmable</td> <td>5,10kg</td> </tr> <tr> <td>M1813.1</td> <td>T16 (G5) 1x28W dimmable DALI</td> <td>5,10kg</td> </tr> <tr> <td>M1815.1</td> <td>T16 (G5) 1x54W dimmable DALI</td> <td>5,10kg</td> </tr> </tbody> </table>	CODE	LIGHT SOURCE	WEIGHT	M1813.0	T16 (G5) 1x28W non dimmable	5,10kg	M1815.0	T16 (G5) 1x54W non dimmable	5,10kg	M1813.1	T16 (G5) 1x28W dimmable DALI	5,10kg	M1815.1	T16 (G5) 1x54W dimmable DALI	5,10kg	
	CODE	LIGHT SOURCE	WEIGHT														
	M1813.0	T16 (G5) 1x28W non dimmable	5,10kg														
	M1815.0	T16 (G5) 1x54W non dimmable	5,10kg														
M1813.1	T16 (G5) 1x28W dimmable DALI	5,10kg															
M1815.1	T16 (G5) 1x54W dimmable DALI	5,10kg															

photometric data: see page 428.

KALIFA II CEILING 2400

		<p>IP20 960° ○ white 2 ● grey 9</p>												
<p>T16 (G5)</p>	<table border="1"> <thead> <tr> <th>CODE</th> <th>LIGHT SOURCE</th> <th>WEIGHT</th> </tr> </thead> <tbody> <tr> <td>M1814.0</td> <td>T16 (G5) 2x28W non dimmable</td> <td>8,90kg</td> </tr> <tr> <td>M1816.0</td> <td>T16 (G5) 2x54W non dimmable</td> <td>8,90kg</td> </tr> <tr> <td>M1816.1</td> <td>T16 (G5) 2x28-54W dimmable DALI</td> <td>8,90kg</td> </tr> </tbody> </table>	CODE	LIGHT SOURCE	WEIGHT	M1814.0	T16 (G5) 2x28W non dimmable	8,90kg	M1816.0	T16 (G5) 2x54W non dimmable	8,90kg	M1816.1	T16 (G5) 2x28-54W dimmable DALI	8,90kg	
	CODE	LIGHT SOURCE	WEIGHT											
	M1814.0	T16 (G5) 2x28W non dimmable	8,90kg											
M1816.0	T16 (G5) 2x54W non dimmable	8,90kg												
M1816.1	T16 (G5) 2x28-54W dimmable DALI	8,90kg												

photometric data: see page 428.

KALIFA SYSTEM


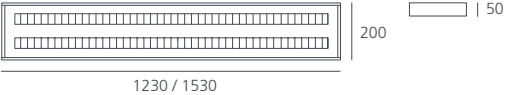


- DIRECT-INDIRECT MODULAR PENDANT SYSTEM USING 2x28W TO 2x54W T16 FLUORESCENT LAMPS.
- EXTRUDED ALUMINIUM BODY WITH A WHITE OR GREY PAINT FINISH, AND 4MM THICK SCREEN-PRINTED TEMPERED GLASS.
- DARKLIGHT EMISSION IS IN COMPLIANCE WITH EN12464-1 STANDARD, WITH AVERAGE LUMINANCE LEVELS LOWER THAN THE 1000CD/M² LIMIT FOR AN OBSERVATION ANGLE OF 65° OR ABOVE WITH RESPECT TO THE VERTICAL AXIS.
- LIGHT OUTPUT RATIO: 56%.
- LIGHT DISTRIBUTION: 61% INDIRECT AND 39% DIRECT.
- ELECTRONIC BALLAST, OR DALI-SWITCHDIM DIMMABLE ELECTRONIC BALLAST, AND EMERGENCY LIGHTING.
- FOR CONTINUOUS LINEAR MOUNTING AND WITH 90° CONNECTORS.
- POLYCARBONATE DUST-PROTECTION SCREEN.
- QUICK ADJUSTMENT STEEL SUSPENSION CABLES.
- COMPLIES WITH STANDARD EN60598-1 AND OTHER SPECIFIC STANDARDS.






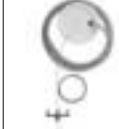


KALIFA SYSTEM

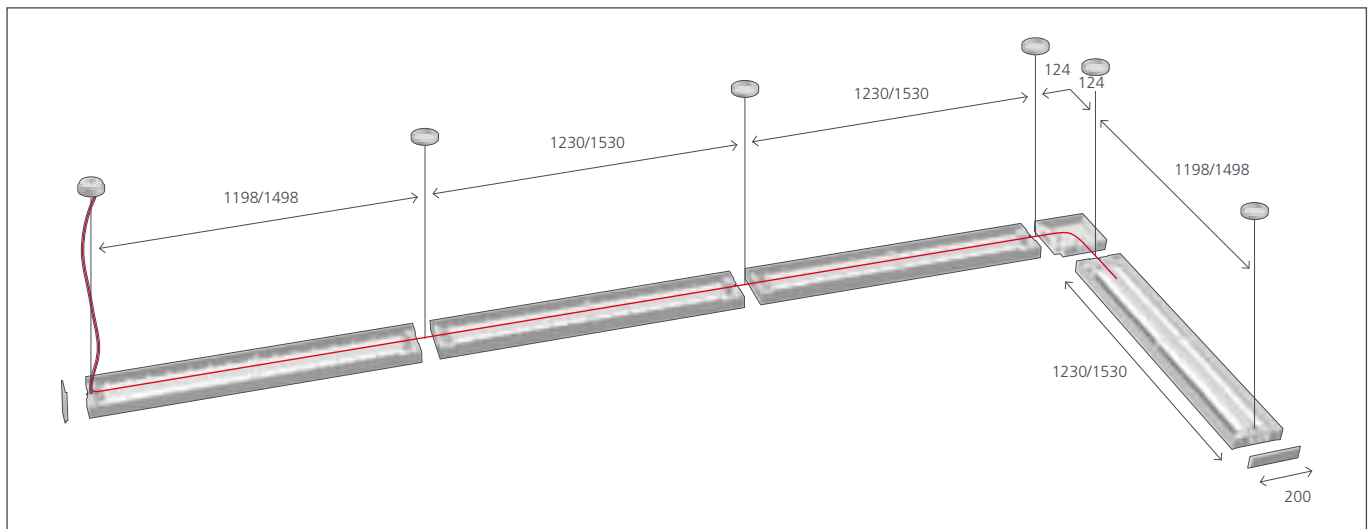
																									
	<p>⊕ ⚡ IP20 850° ○ white 2 ● grey 9</p>																								
T16 (G5)	<table border="1"> <thead> <tr> <th>CODE</th> <th>LIGHT SOURCE</th> <th>LENGTH</th> <th>WEIGHT</th> </tr> </thead> <tbody> <tr> <td>M1654.0</td> <td>T16 (G5) 2x28W non dimmable</td> <td>1230mm</td> <td>6,60kg</td> </tr> <tr> <td>M1656.0</td> <td>T16 (G5) 2x35W non dimmable</td> <td>1530mm</td> <td>8,20kg</td> </tr> <tr> <td>M1655.0</td> <td>T16 (G5) 2x54W non dimmable</td> <td>1230mm</td> <td>6,60kg</td> </tr> <tr> <td>M1655.7</td> <td>T16 (G5) 2x54W non dimmable + emergency 1h</td> <td>1230mm</td> <td>7,50kg</td> </tr> <tr> <td>M1655.1</td> <td>T16 (G5) 2x54W dimmable DALI</td> <td>1230mm</td> <td>6,60kg</td> </tr> </tbody> </table>	CODE	LIGHT SOURCE	LENGTH	WEIGHT	M1654.0	T16 (G5) 2x28W non dimmable	1230mm	6,60kg	M1656.0	T16 (G5) 2x35W non dimmable	1530mm	8,20kg	M1655.0	T16 (G5) 2x54W non dimmable	1230mm	6,60kg	M1655.7	T16 (G5) 2x54W non dimmable + emergency 1h	1230mm	7,50kg	M1655.1	T16 (G5) 2x54W dimmable DALI	1230mm	6,60kg
CODE	LIGHT SOURCE	LENGTH	WEIGHT																						
M1654.0	T16 (G5) 2x28W non dimmable	1230mm	6,60kg																						
M1656.0	T16 (G5) 2x35W non dimmable	1530mm	8,20kg																						
M1655.0	T16 (G5) 2x54W non dimmable	1230mm	6,60kg																						
M1655.7	T16 (G5) 2x54W non dimmable + emergency 1h	1230mm	7,50kg																						
M1655.1	T16 (G5) 2x54W dimmable DALI	1230mm	6,60kg																						

photometric data: see page 433.

KALIFA SYSTEM COMPONENTS

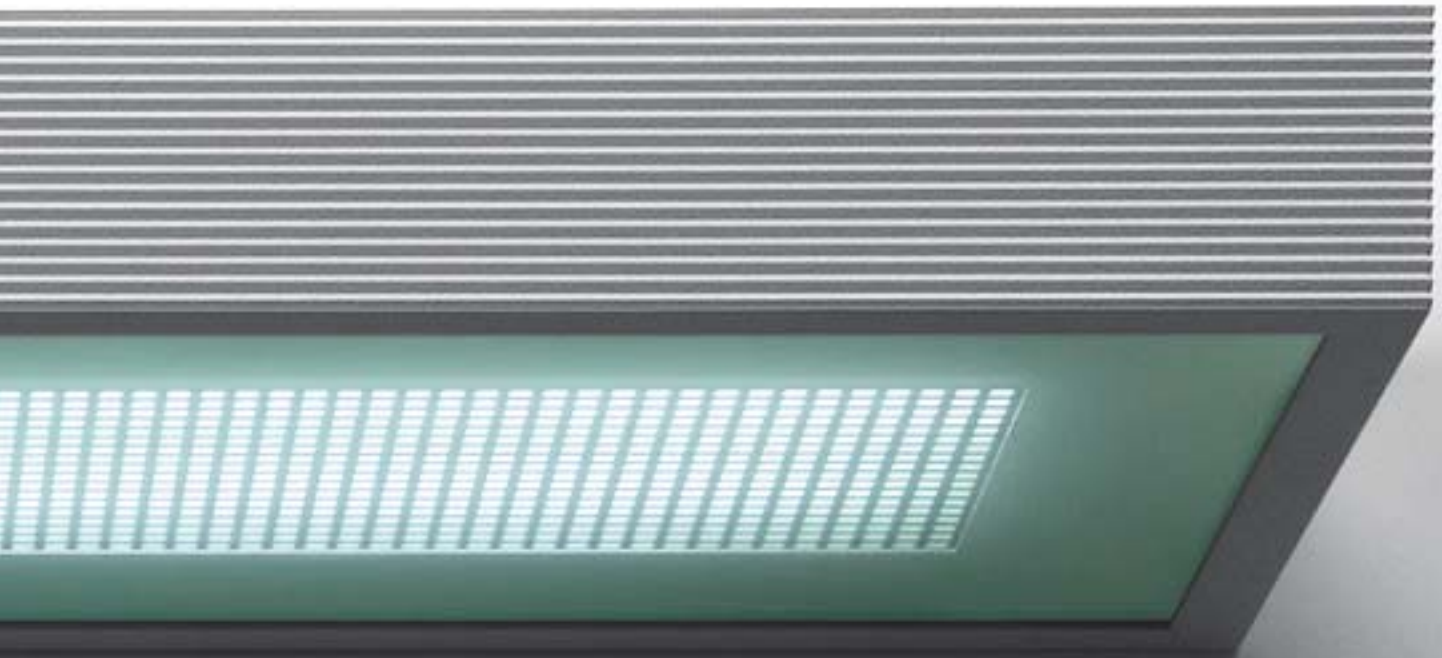
	<p>M1663.0 End cap (1 piece). 200x50x3mm.</p> <p>○ white 2 ● grey 9</p>		<p>M1661.0 Suspension cable. Ceiling plate Ø100mm. 1400mm.</p> <p>○ white 2 ● grey 9</p>
	<p>M1664.0 90° connector (unwired). 224x224x50mm. 1,30kg.</p> <p>○ white 2 ● grey 9</p>		<p>Steel suspension wire with power feed cable. Ceiling plate Ø100mm. 1400mm.</p> <p>M1662.0 3 wires (3x1,5mm²). M1660.0 5 wires (3x1,5mm² + 2x0,5mm²). ○ white 2 ● grey 9</p>
<p>INTERACTIVE-DALI TECHNOLOGY</p>	<p>INTERACTIVE-DALI components: see page 409.</p>		

KALIFA SYSTEM


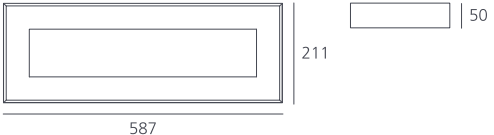




KALIFA WALL

- A RANGE OF WALL LAMPS WITH DIRECT-INDIRECT LIGHTING USING 1x24W AND 1x80W T16, AND 2x55W TC-LEL FLUORESCENT LAMPS.
- EXTRUDED ALUMINIUM BODY WITH WHITE OR GREY PAINT FINISH, AND 4MM THICK SCREEN-PRINTED TEMPERED GLASS.
- 3 SIZE OPTIONS: 100x587MM, 100x1487MM AND 211x587MM.
- LIGHT DISTRIBUTION: 82% INDIRECT AND 18% DIRECT (TC-LEL VERSION), 86% INDIRECT AND 14% DIRECT (T16).
- ELECTRONIC CONTROL GEAR.
- OPTIONAL EMERGENCY LIGHTING.
- POLYCARBONATE DUST-PROTECTION SCREEN.
- COMPLIES WITH STANDARD EN60598-1 AND OTHER SPECIFIC STANDARDS.







KALIFA WALL TC-LEL

				
		⚡ ⚠ IP20 850° ○ white 2 ● grey 9		
TC-LEL (2G11)		CODE	LIGHT SOURCE	WEIGHT
		M0243.0	TC-LEL (2G11) 2x55W non dimmable	3,20kg
		M0243.7	TC-LEL (2G11) 2x55W non dimmable + emergency 1h	3,80kg

photometric data: see page 437.

KALIFA WALL T16

					
		⚡ ⚠ IP20 850° ○ white 2 ● grey 9			
T16 (G5)		CODE	LIGHT SOURCE	LENGTH	WEIGHT
		M0241.0	T16 (G5) 1x24W non dimmable	587mm	1,90kg
		M0242.0	T16 (G5) 1x80W non dimmable	1487mm	3,70kg

photometric data: see page 437.



INNOWATIO SPA, KILOMETRO ROSSO SCIENCE & TECHNOLOGY PARK, BERGAMO (I), GIOVANNI RIZZI ARCHITETTO.



CREDIT SUISSE HQ'S, ROME (I), PROGETTO CMR.


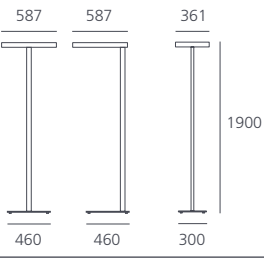





KALIFA FLOOR



- A RANGE OF FLOOR LAMPS WITH DIRECT-INDIRECT LIGHTING USING 55W AND 80W TC-LEL FLUORESCENT LAMPS.
- OPTICAL UNIT AND POLE IN EXTRUDED ALUMINIUM WITH A WHITE OR GREY PAINT FINISH.
- STEEL BASE.
- 3 VERSIONS: **COMFORT**, **DARK LIGHT** AND **PRISMOPTIC**.
- 4MM THICK SCREEN-PRINTED TEMPERED GLASS **COMFORT** DIFFUSER: LIGHT DISTRIBUTION: 87% INDIRECT AND 13% DIRECT.
- ALUMINIUM **DARK LIGHT** OPTIC: LIGHT OUTPUT RATIO 62%. LIGHT DISTRIBUTION: 73% INDIRECT AND 27% DIRECT.
- POLYCARBONATE **PRISMOPTIC** DIFFUSER: LIGHT OUTPUT RATIO OF UP TO 71%. LIGHT DISTRIBUTION: 76% INDIRECT AND 24% DIRECT (**KALIFA FLOOR PRISMOPTIC III**).
- 4 LEVELS OF ELECTRONIC LIGHT MANAGEMENT: ELECTRONIC BALLAST WITH TWIN SWITCH (50%/100%), DIMMING CONTROL WITH MANUAL LIGHT INTENSITY ADJUSTMENT, SIMPLE MOTION SENSOR WITH AUTOMATIC ON/OFF SWITCHING BASED ON PRESENCE AND LIGHT LEVEL, AND **INTERACTIVE-DALI** SYSTEM COMBINING A MOVEMENT DETECTOR AND A DAYLIGHT SENSOR FOR AUTO-REGULATION IN RELATION TO PEOPLE PRESENCE AND VARIATIONS IN DAYLIGHT.
- POLYCARBONATE DUST-PROTECTION SCREEN AS AN OPTIONAL EXTRA.
- COMPLIES WITH STANDARD EN60598-1 AND OTHER SPECIFIC STANDARDS.



KALIFA FLOOR COMFORT


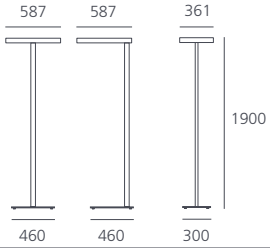

		 IP20  OS  white 2  grey 9																																				
		TC-LEL (2G11) 																																				
<table border="1"> <thead> <tr> <th>CODE</th> <th>LIGHT SOURCE</th> <th>POLE</th> <th>WEIGHT</th> </tr> </thead> <tbody> <tr> <td>M1680.0</td> <td>TC-LEL (2G11) 4x55W non dimmable</td> <td>central</td> <td>15,00kg</td> </tr> <tr> <td>M1680.1</td> <td>TC-LEL (2G11) 4x55W dimmable</td> <td>central</td> <td>15,00kg</td> </tr> <tr> <td>M1680.6</td> <td>TC-LEL (2G11) 4x55W INTERACTIVE-DALI</td> <td>central</td> <td>15,00kg</td> </tr> <tr> <td>M1680.9</td> <td>TC-LEL (2G11) 4x55W movement detector</td> <td>central</td> <td>15,00kg</td> </tr> <tr> <td>M1678.0</td> <td>TC-LEL (2G11) 4x55W non dimmable</td> <td>side</td> <td>15,00kg</td> </tr> <tr> <td>M1678.1</td> <td>TC-LEL (2G11) 4x55W dimmable</td> <td>side</td> <td>15,00kg</td> </tr> <tr> <td>M1678.6</td> <td>TC-LEL (2G11) 4x55W INTERACTIVE-DALI</td> <td>side</td> <td>15,00kg</td> </tr> <tr> <td>M1678.9</td> <td>TC-LEL (2G11) 4x55W movement detector</td> <td>side</td> <td>15,00kg</td> </tr> </tbody> </table>		CODE	LIGHT SOURCE	POLE	WEIGHT	M1680.0	TC-LEL (2G11) 4x55W non dimmable	central	15,00kg	M1680.1	TC-LEL (2G11) 4x55W dimmable	central	15,00kg	M1680.6	TC-LEL (2G11) 4x55W INTERACTIVE-DALI	central	15,00kg	M1680.9	TC-LEL (2G11) 4x55W movement detector	central	15,00kg	M1678.0	TC-LEL (2G11) 4x55W non dimmable	side	15,00kg	M1678.1	TC-LEL (2G11) 4x55W dimmable	side	15,00kg	M1678.6	TC-LEL (2G11) 4x55W INTERACTIVE-DALI	side	15,00kg	M1678.9	TC-LEL (2G11) 4x55W movement detector	side	15,00kg	
CODE	LIGHT SOURCE	POLE	WEIGHT																																			
M1680.0	TC-LEL (2G11) 4x55W non dimmable	central	15,00kg																																			
M1680.1	TC-LEL (2G11) 4x55W dimmable	central	15,00kg																																			
M1680.6	TC-LEL (2G11) 4x55W INTERACTIVE-DALI	central	15,00kg																																			
M1680.9	TC-LEL (2G11) 4x55W movement detector	central	15,00kg																																			
M1678.0	TC-LEL (2G11) 4x55W non dimmable	side	15,00kg																																			
M1678.1	TC-LEL (2G11) 4x55W dimmable	side	15,00kg																																			
M1678.6	TC-LEL (2G11) 4x55W INTERACTIVE-DALI	side	15,00kg																																			
M1678.9	TC-LEL (2G11) 4x55W movement detector	side	15,00kg																																			

photometric data: see page 430.



ABOVE AND PAGE 279: INNOWATIO SPA, KILOMETRO ROSSO SCIENCE & TECHNOLOGY PARK, BERGAMO (I), GIOVANNI RIZZI ARCHITETTO.

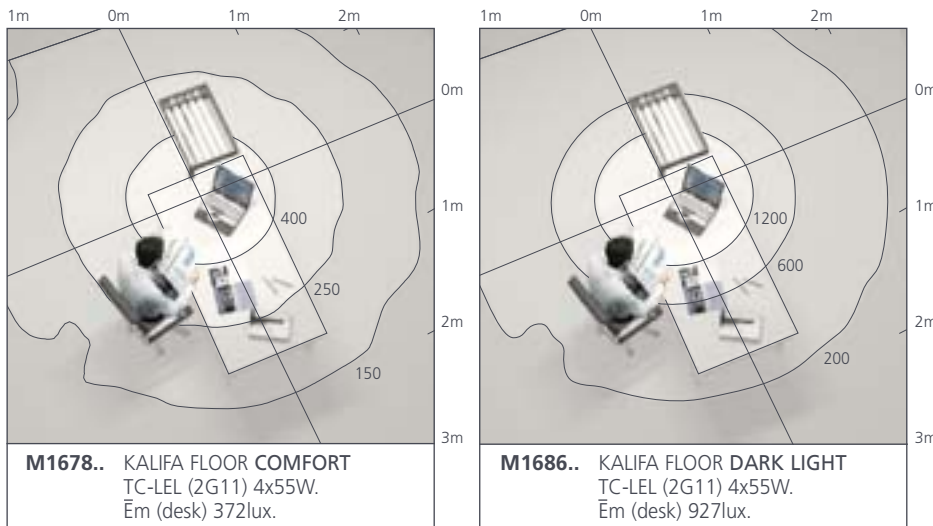
KALIFA FLOOR DARK LIGHT

				
	Ⓧ IP20 ○ white 2 ● grey 9			
TC-LEL (2G11) 	CODE	LIGHT SOURCE	POLE	WEIGHT
	M1685.0	TC-LEL (2G11) 4x55W non dimmable	central	15,00kg
	M1685.1	TC-LEL (2G11) 4x55W dimmable	central	15,00kg
	M1685.6	TC-LEL (2G11) 4x55W INTERACTIVE-DALI	central	15,00kg
	M1685.9	TC-LEL (2G11) 4x55W movement detector	central	15,00kg
	M1686.0	TC-LEL (2G11) 4x55W non dimmable	side	15,00kg
	M1686.1	TC-LEL (2G11) 4x55W dimmable	side	15,00kg
	M1686.6	TC-LEL (2G11) 4x55W INTERACTIVE-DALI	side	15,00kg
	M1686.9	TC-LEL (2G11) 4x55W movement detector	side	15,00kg

photometric data: see page 430.

KALIFA FLOOR ISOLUX


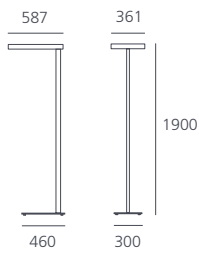


Calculation parameters for issuing isolux diagrams: Office with one work station. Length x width x height 5,00x5,00x2,70m. Reflectance factors ceiling/walls/floor: 70/50/20%. Working plane 1,60x0,80x0,75m. Maintenance factor 0,90WF.



KALIFA FLOOR ACCESSORIES

	<p>M168200 Polycarbonate dust-protection screen. Suitable only for KALIFA FLOOR COMFORT or DARK LIGHT.</p>		<p>M104900 INTERACTIVE-DALI remote control.</p>
---	---	--	--

KALIFA FLOOR PRISMOPTIC I


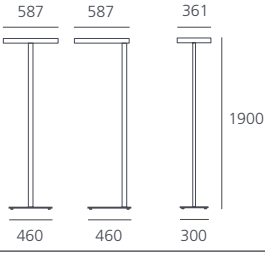

			
	IP20  ○ white 2 ● grey 9		
TC-LEL (2G11) 	CODE	LIGHT SOURCE	WEIGHT
	M1684.0	TC-LEL (2G11) 4x55W non dimmable	14,00kg
	M1684.1	TC-LEL (2G11) 4x55W dimmable	14,00kg
	M1684.6	TC-LEL (2G11) 4x55W INTERACTIVE-DALI	14,00kg
	M1684.9	TC-LEL (2G11) 4x55W movement detector	14,00kg

photometric data: see page 430.




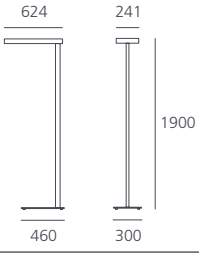

ASSOCIAZIONE BANCARIA ITALIANA, ROME (I), PROGETTO CMR.

KALIFA FLOOR PRISMOPTIC II

				
	⚡ IP20 ○ white 2 ● grey 9			
TC-LEL (2G11) 	CODE	LIGHT SOURCE	POLE	WEIGHT
	M1687.0	TC-LEL (2G11) 4x55W non dimmable	central	14,00kg
	M1687.1	TC-LEL (2G11) 4x55W dimmable	central	14,00kg
	M1687.6	TC-LEL (2G11) 4x55W INTERACTIVE-DALI	central	14,00kg
	M1687.9	TC-LEL (2G11) 4x55W movement detector	central	14,00kg
	M1688.0	TC-LEL (2G11) 4x55W non dimmable	side	14,00kg
	M1688.1	TC-LEL (2G11) 4x55W dimmable	side	14,00kg
	M1688.6	TC-LEL (2G11) 4x55W INTERACTIVE-DALI	side	14,00kg
	M1688.9	TC-LEL (2G11) 4x55W movement detector	side	14,00kg

photometric data: see page 431.

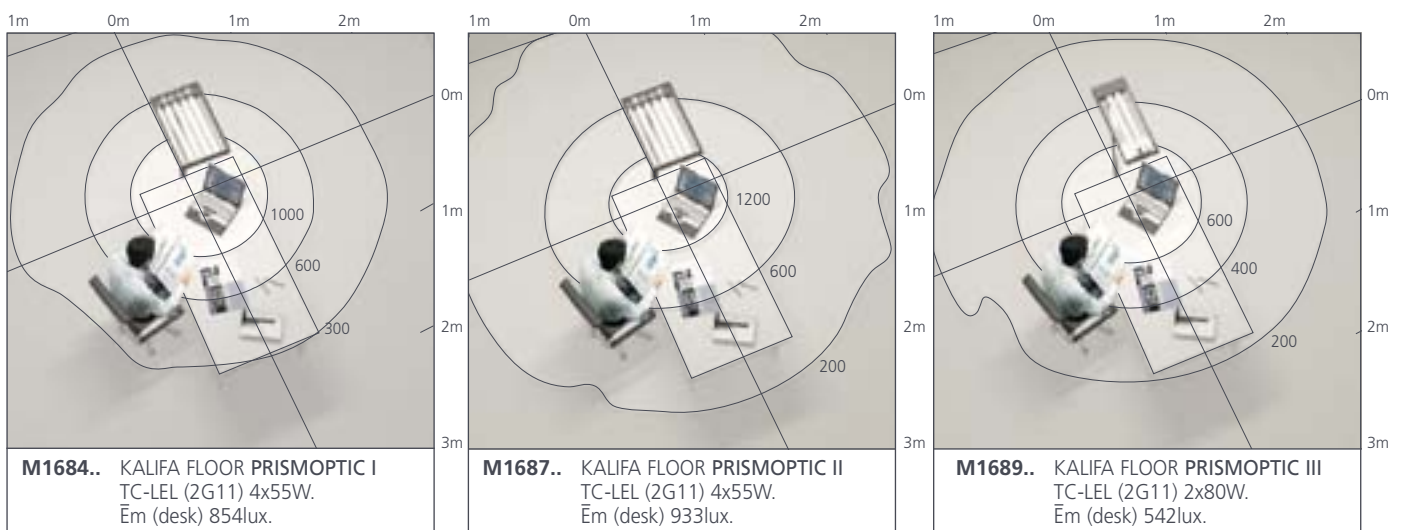
KALIFA FLOOR PRISMOPTIC III

			
	⚡ IP20 ○ white 2 ● grey 9		
TC-LEL (2G11) 	CODE	LIGHT SOURCE	WEIGHT
	M1689.0	TC-LEL (2G11) 2x80W non dimmable	13,50kg
	M1689.1	TC-LEL (2G11) 2x80W dimmable	13,50kg
	M1689.6	TC-LEL (2G11) 2x80W INTERACTIVE-DALI	13,50kg

photometric data: see page 431.

KALIFA FLOOR PRISMOPTIC ISOLUX

Calculation parameters for issuing isolux diagrams: **Office with one work station**. Length x width x height 5,00x5,00x2,70m. Reflectance factors ceiling/walls/floor: 70/50/20%. Working plane 1,60x0,80x0,75m. Maintenance factor 0,90WF.



KALIFA FLOOR ACCESSORIES

	M104900 INTERACTIVE-DALI remote control.
---	---

KALIFA RECESSED



- A RANGE OF RECESSED LUMINAIRES USING FLUORESCENT LAMPS, AVAILABLE IN 2 VERSIONS: **SOFT LIGHT** (2x55W TC-LEL), AND COMBINED EMISSION **DARK LIGHT + DIFFUSER** (4x24W T16).
- SUITABLE FOR INSTALLATION INTO FALSE CEILING SYSTEMS WITH 600x600MM AND 625x625MM MODULES, OR INTO PLASTERBOARD FALSE CEILINGS USING A SPECIAL RECESSING FRAME (OPTIONAL).
- ELECTRONIC OR DALI-SWITCHDIM DIMMABLE ELECTRONIC BALLAST, OR EMERGENCY LIGHTING.
- COMPLIES WITH STANDARD EN60598-1 AND OTHER SPECIFIC STANDARDS.

SOFT LIGHT

STEEL MAIN REFLECTOR, WITH WHITE PAINT FINISH.
4MM THICK SCREEN-PRINTED TEMPERED GLASS.


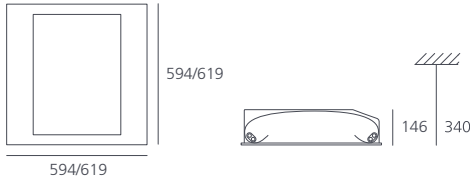


DARK LIGHT + DIFFUSER

BODY IN GALVANIZED STEEL. 4MM THICK SCREEN-PRINTED TEMPERED DIFFUSING GLASS. DARK LIGHT OPTICS.




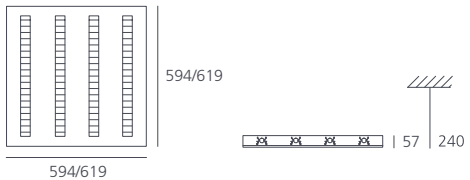


NORTH WOOLWICH LIBRARY, LONDON (UK), FAULKNERBROWNS ARCHITECTS.

KALIFA RECESSED SOFT LIGHT

				
				
TC-LEL (2G11) 	CODE	LIGHT SOURCE	FALSE CEILING	WEIGHT
	M160400	TC-LEL (2G11) 2x55W non dimmable	600x600mm	9,90kg
	M160401	TC-LEL (2G11) 2x55W dimmable DALI	600x600mm	9,90kg
	M160407	TC-LEL (2G11) 2x55W non dimmable + emergency 1h	600x600mm	10,50kg
	M160402	TC-LEL (2G11) 2x55W non dimmable	625x625mm	10,30kg
	M160421	TC-LEL (2G11) 2x55W dimmable DALI	625x625mm	10,30kg

photometric data: see page 425.

KALIFA RECESSED DARK LIGHT + DIFFUSER

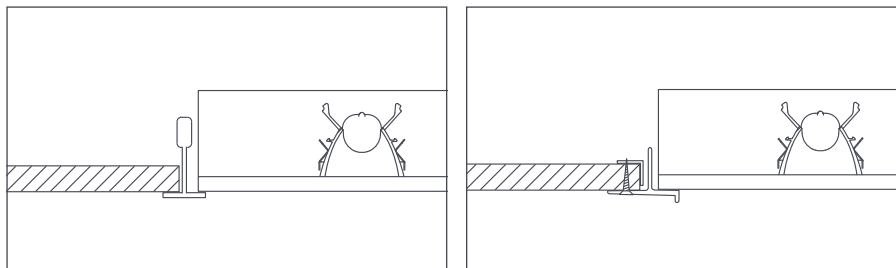
				
				
T16 (G5) 	CODE	LIGHT SOURCE	FALSE CEILING	WEIGHT
	M160700	T16 (G5) 4x24W non dimmable	600x600mm	9,20kg
	M160701	T16 (G5) 4x14-24W dimmable DALI	600x600mm	9,20kg
	M160707	T16 (G5) 4x24W non dimmable + emergency 1h	600x600mm	9,80kg
	M160702	T16 (G5) 4x24W non dimmable	625x625mm	9,60kg
	M160721	T16 (G5) 4x14-24W dimmable DALI	625x625mm	9,60kg

photometric data: see page 425.

KALIFA RECESSED ACCESSORIES

	Recess frame for installation on plasterboard false ceiling.		INTERACTIVE-DALI components: see page 409.
	M160600 600x600mm.  606x606mm. 0,90kg. M160602 625x625mm.  633x633mm. 0,94kg.		

KALIFA RECESSED INSTALLATION



INSTALLATION WITH LUMINAIRE INCORPORATED INTO THE 600/625 MODULAR CEILING STRUCTURE.

INSTALLATION INTO PLASTER CEILING WITH OPTIONAL RECESS FRAME (M160600 OR M160602).

KALIFA CEILING KALIFA SUSPENSION



- A RANGE OF LUMINAIRES USING T16 FLUORESCENT LAMPS, AVAILABLE IN 2 VERSIONS: CEILING MOUNTED OR PENDANT.
- EXTRUDED ALUMINIUM BODY WITH WHITE OR GREY PAINT FINISH, AND 4MM THICK SCREEN-PRINTED TEMPERED GLASS.
- ELECTRONIC CONTROL GEAR.
- COMPLIES WITH STANDARD EN60598-1 AND OTHER SPECIFIC STANDARDS.


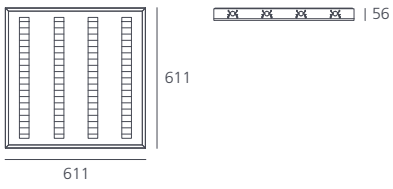


CEILING

- CEILING FIXTURE USING 4x14W AND 4x24W T16 FLUORESCENT LAMPS.
- OPAQUE OR DIFFUSING SCREEN-PRINTED GLASS.
- DARK LIGHT OPTICS.
- LAMPS CAN BE MAINTAINED WITHOUT THE NEED FOR TOOLS.

PENDANT


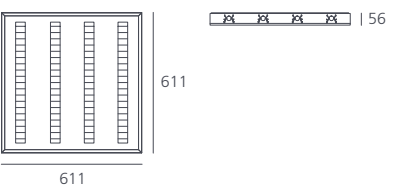


- SINGLE PENDANT WITH DIRECT-INDIRECT LIGHTING, USING 4x24W T16 FLUORESCENT LAMPS.
- LIGHT DISTRIBUTION: 81% INDIRECT AND 19% DIRECT.
- POLYCARBONATE DUST PROTECTION SCREEN.
- LUMINAIRE COMES COMPLETE WITH QUICK-ADJUSTMENT STEEL SUSPENSION CABLES, CEILING PLATE AND POWER CABLE.

KALIFA CEILING DARK LIGHT + OPAQUE GLASS

		  IP20 850° IK10 (20j) <input type="radio"/> white 2 <input checked="" type="radio"/> grey 9						
			<table border="1"> <thead> <tr> <th>T16 (G5)</th> <th>CODE</th> <th>LIGHT SOURCE</th> <th>WEIGHT</th> </tr> </thead> <tbody> <tr> <td></td> <td>M1610.0</td> <td>T16 (G5) 4x24W non dimmable</td> <td>8,50kg</td> </tr> </tbody> </table>	T16 (G5)	CODE	LIGHT SOURCE	WEIGHT	
T16 (G5)	CODE	LIGHT SOURCE	WEIGHT					
	M1610.0	T16 (G5) 4x24W non dimmable	8,50kg					


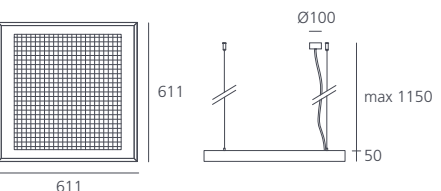


photometric data: see page 428.

KALIFA CEILING DARK LIGHT + DIFFUSER

		  IP40 850° IK10 (20j) <input type="radio"/> white 2 <input checked="" type="radio"/> grey 9										
			<table border="1"> <thead> <tr> <th>T16 (G5)</th> <th>CODE</th> <th>LIGHT SOURCE</th> <th>WEIGHT</th> </tr> </thead> <tbody> <tr> <td></td> <td>M1611.0</td> <td>T16 (G5) 4x14W non dimmable</td> <td>10,40kg</td> </tr> <tr> <td></td> <td>M1612.0</td> <td>T16 (G5) 4x24W non dimmable</td> <td>10,40kg</td> </tr> </tbody> </table>	T16 (G5)	CODE	LIGHT SOURCE	WEIGHT		M1611.0	T16 (G5) 4x14W non dimmable	10,40kg	
T16 (G5)	CODE	LIGHT SOURCE	WEIGHT									
	M1611.0	T16 (G5) 4x14W non dimmable	10,40kg									
	M1612.0	T16 (G5) 4x24W non dimmable	10,40kg									

photometric data: see page 428.

KALIFA SUSPENSION

		  IP20 850° IK10 (20j) <input type="radio"/> white 2 <input checked="" type="radio"/> grey 9						
			<table border="1"> <thead> <tr> <th>T16 (G5)</th> <th>CODE</th> <th>LIGHT SOURCE</th> <th>WEIGHT</th> </tr> </thead> <tbody> <tr> <td></td> <td>M1618.0</td> <td>T16 (G5) 4x24W non dimmable</td> <td>8,50kg</td> </tr> </tbody> </table>	T16 (G5)	CODE	LIGHT SOURCE	WEIGHT	
T16 (G5)	CODE	LIGHT SOURCE	WEIGHT					
	M1618.0	T16 (G5) 4x24W non dimmable	8,50kg					

photometric data: see page 433.



ADECCO ITALIA, MILAN (I), ARCH. MOSCHENI.



ARPA ADD-ARCHITECTURE AND DESIGN DISTRICT, PESARO (I), ARPA LAB.