

# OTO

design FOSTER & PARTNERS





- A RANGE OF DIRECTIONAL SPOTLIGHTS USING 12V OR 230/240V HALOGEN AND METAL HALIDE LAMPS.
- WITH THREE-PHASE TRACK ADAPTER.
- ALUMINIUM BODY COMPRISED OF AN OPTICAL AND POWER SUPPLY UNIT.
- OPTICAL UNIT AVAILABLE IN 2 DIAMETER OPTIONS DEPENDING ON THE LIGHT SOURCE: Ø80MM AND Ø130MM.
- ALUMINIUM OPTICS WITH VARIOUS BEAM SPREADS.
- TILT ANGLE OF UP TO 90°, ROTATION OF UP TO 355°.
- ELECTRONIC CONTROL GEAR.
- SAFETY GLASS WITH HIT VERSION.
- WIDE RANGE OF ACCESSORIES.
- COMPLIES WITH STANDARD EN60598-1 AND OTHER SPECIFIC STANDARDS.

BüroRäume  
für morgen  
die Zukunft






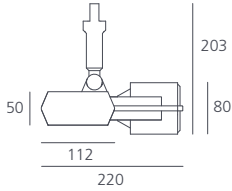









Meister am Werk.






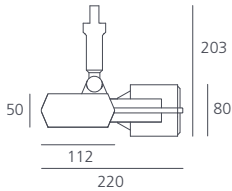







www.italianhome.com - 44 - L'Espresso - 12/2012

## OTO 80 HALO

			     									
			QR-CBC51 (GU5,3)  QPAR20 (E27) 									
<table border="1"> <thead> <tr> <th>CODE</th> <th>LIGHT SOURCE</th> <th>WEIGHT</th> </tr> </thead> <tbody> <tr> <td><b>L2306.0*</b></td> <td>QR-CBC51 (GU5,3) 12V max50W</td> <td>0,95kg</td> </tr> <tr> <td><b>L2308.0</b></td> <td>QPAR20 (E27) max50W</td> <td>0,80kg</td> </tr> </tbody> </table>		CODE	LIGHT SOURCE	WEIGHT	<b>L2306.0*</b>	QR-CBC51 (GU5,3) 12V max50W	0,95kg	<b>L2308.0</b>	QPAR20 (E27) max50W	0,80kg	*Integral electronic transformer 20-50W, 230-240V/12V. Class II. Dimmable by trailing edge external dimmers.	
CODE	LIGHT SOURCE	WEIGHT										
<b>L2306.0*</b>	QR-CBC51 (GU5,3) 12V max50W	0,95kg										
<b>L2308.0</b>	QPAR20 (E27) max50W	0,80kg										

3-circuit tracks: see page 57.

## OTO 80 HIT

			    									
			HIT-TC-CE (G8,5) 									
<table border="1"> <thead> <tr> <th>CODE</th> <th>LIGHT SOURCE</th> <th>WEIGHT</th> </tr> </thead> <tbody> <tr> <td><b>L2345.0</b></td> <td>HIT-TC-CE (G8,5) 35W 2x10°</td> <td>1,40kg</td> </tr> <tr> <td><b>L2346.0</b></td> <td>HIT-TC-CE (G8,5) 35W 2x17°</td> <td>1,40kg</td> </tr> </tbody> </table>		CODE	LIGHT SOURCE	WEIGHT	<b>L2345.0</b>	HIT-TC-CE (G8,5) 35W 2x10°	1,40kg	<b>L2346.0</b>	HIT-TC-CE (G8,5) 35W 2x17°	1,40kg		
CODE	LIGHT SOURCE	WEIGHT										
<b>L2345.0</b>	HIT-TC-CE (G8,5) 35W 2x10°	1,40kg										
<b>L2346.0</b>	HIT-TC-CE (G8,5) 35W 2x17°	1,40kg										

3-circuit tracks: see page 57.  
photometric data: see page 415.


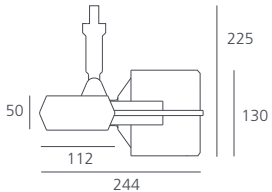






## OTO 80 ACCESSORIES

	<b>L237000</b> Accessory-holder + light-shade grill. Ø80mm.   black		<b>L237600</b> Framing device.   black
	<b>L237100</b> Accessory-holder + adjustable dowser. Ø80mm.   black		Accessory-holder + filter. Ø80mm. <b>L237400</b> UV filter. <b>L237500</b> Infrared filter.
	<b>L237200</b> Accessory-holder + wall washer screen. Ø80mm.   black		Accessory-holder + coloured filter. Ø80mm. <b>L237340</b> Red. <b>L237350</b> Blue. <b>L237360</b> Yellow. <b>L237380</b> Green.



All  
by [unreadable]


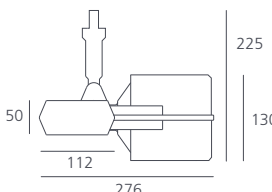
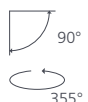





## OTO 130 HALO

			    						
			<table border="1"> <thead> <tr> <th>CODE</th> <th>LIGHT SOURCE</th> <th>WEIGHT</th> </tr> </thead> <tbody> <tr> <td><b>L2312.0*</b></td> <td>QR111 (G53) 12V max100W</td> <td>1,60kg</td> </tr> <tr> <td><b>L2314.0</b></td> <td>QPAR30 (E27) max75W</td> <td>1,50kg</td> </tr> </tbody> </table>	CODE	LIGHT SOURCE	WEIGHT	<b>L2312.0*</b>	QR111 (G53) 12V max100W	1,60kg
CODE	LIGHT SOURCE	WEIGHT							
<b>L2312.0*</b>	QR111 (G53) 12V max100W	1,60kg							
<b>L2314.0</b>	QPAR30 (E27) max75W	1,50kg							

\*Integral electronic transformer 35-100W, 230-240V/12V. Class II. Dimmable by trailing edge external dimmers.

3-circuit tracks: see page 57.

## OTO 130 HIT

			    												
			<table border="1"> <thead> <tr> <th>CODE</th> <th>LIGHT SOURCE</th> <th>WEIGHT</th> </tr> </thead> <tbody> <tr> <td><b>L2352.0</b></td> <td>HIT-CE (G12) 70W 2x15°</td> <td>1,90kg</td> </tr> <tr> <td><b>L2353.0</b></td> <td>HIT-CE (G12) 70W 2x30°</td> <td>1,90kg</td> </tr> <tr> <td><b>L2354.0</b></td> <td>HIT-CE (G12) 150W 2x15°</td> <td>2,40kg</td> </tr> <tr> <td><b>L2355.0</b></td> <td>HIT-CE (G12) 150W 2x30°</td> <td>2,40kg</td> </tr> </tbody> </table>	CODE	LIGHT SOURCE	WEIGHT	<b>L2352.0</b>	HIT-CE (G12) 70W 2x15°	1,90kg	<b>L2353.0</b>	HIT-CE (G12) 70W 2x30°	1,90kg	<b>L2354.0</b>	HIT-CE (G12) 150W 2x15°	2,40kg
CODE	LIGHT SOURCE	WEIGHT													
<b>L2352.0</b>	HIT-CE (G12) 70W 2x15°	1,90kg													
<b>L2353.0</b>	HIT-CE (G12) 70W 2x30°	1,90kg													
<b>L2354.0</b>	HIT-CE (G12) 150W 2x15°	2,40kg													
<b>L2355.0</b>	HIT-CE (G12) 150W 2x30°	2,40kg													

3-circuit tracks: see page 57.  
photometric data: see page 415.

## OTO 130 ACCESSORIES

	<p><b>L238000</b> Accessory-holder + light-shade grill. Ø130mm.</p> <p>● black</p>		<p><b>L238200</b> Accessory-holder + wall washer screen. Ø130mm.</p> <p>● black</p>
	<p><b>L238100</b> Accessory-holder + adjustable dowser. Ø130mm.</p> <p>● black</p>		<p>Accessory-holder + filter. Ø130mm.</p> <p><b>L238400</b> UV filter.</p> <p><b>L238500</b> Infrared filter.</p>