

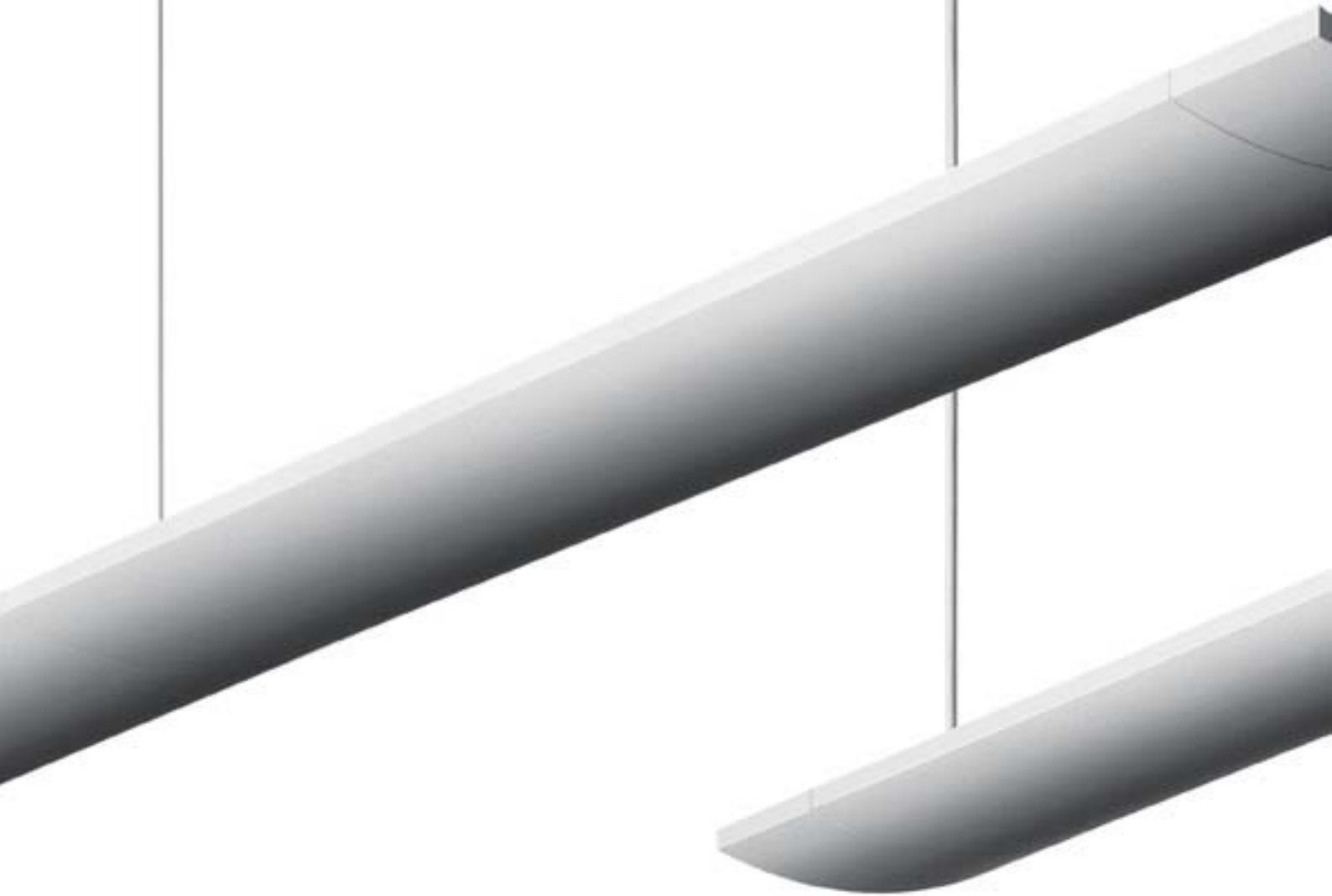
SURF

design NEIL POULTON



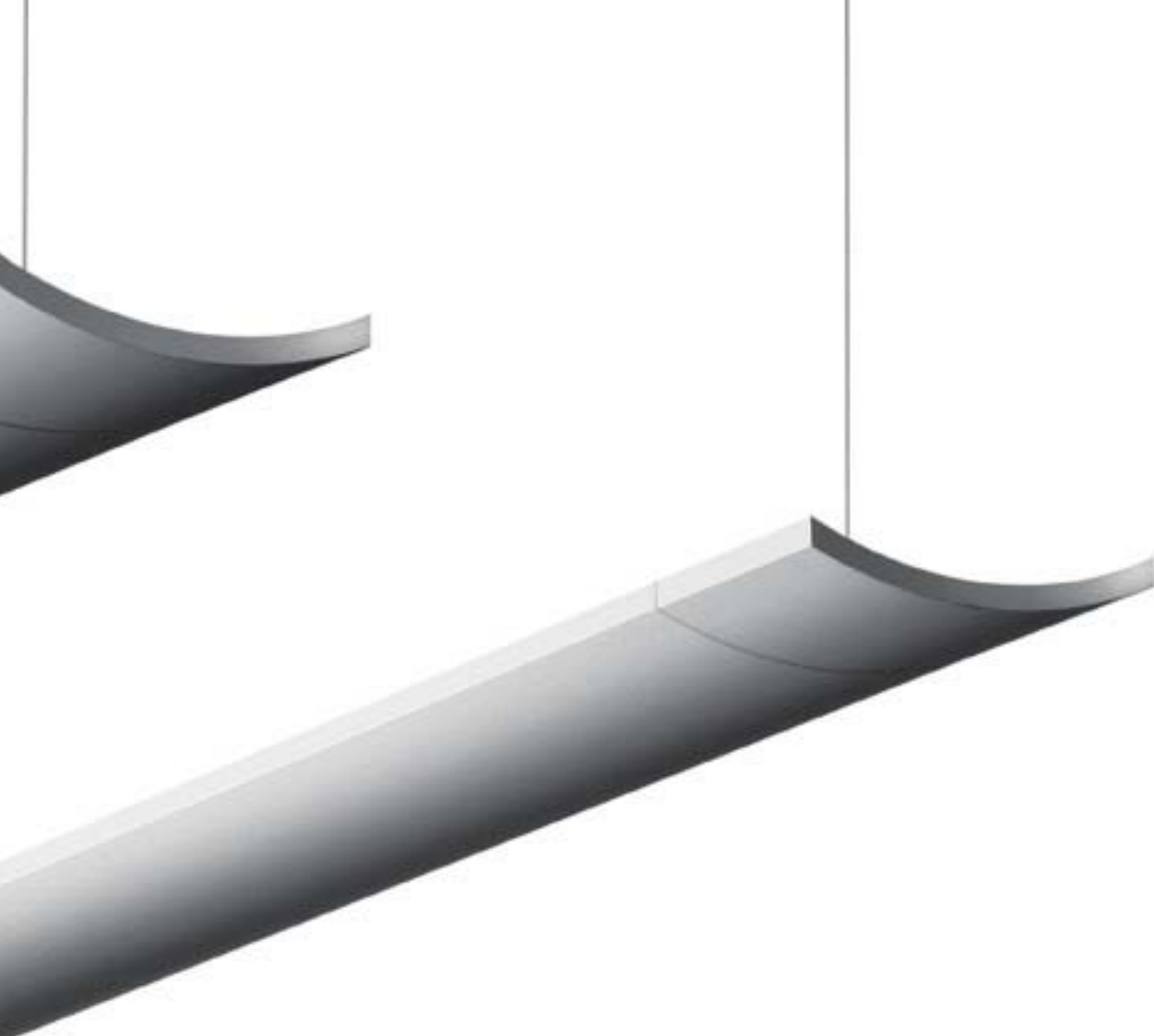


SURF SYSTEM SUSPENSION



HQ'S FRASER MILNER, MONTREAL (CA), AEDIFICA ARCHITECTURE + DESIGN.
PAGE 252-253: DOBSON HOUSE, NEWCASTLE UPON TYNE (UK), FAULKNERBROWNS ARCHITECTS.

HQ'S OMER DE SERRES, MONTREAL (CA), AEDIFICA ARCHITECTURE + DESIGN.



IWATE PREFECTURAL LIBRARY IWATE (J), NIHON SEKKEI INC,
K. SONE ENVIRONMENTAL DESIGN ASS. AND KUJI ARCH. STUDIO.

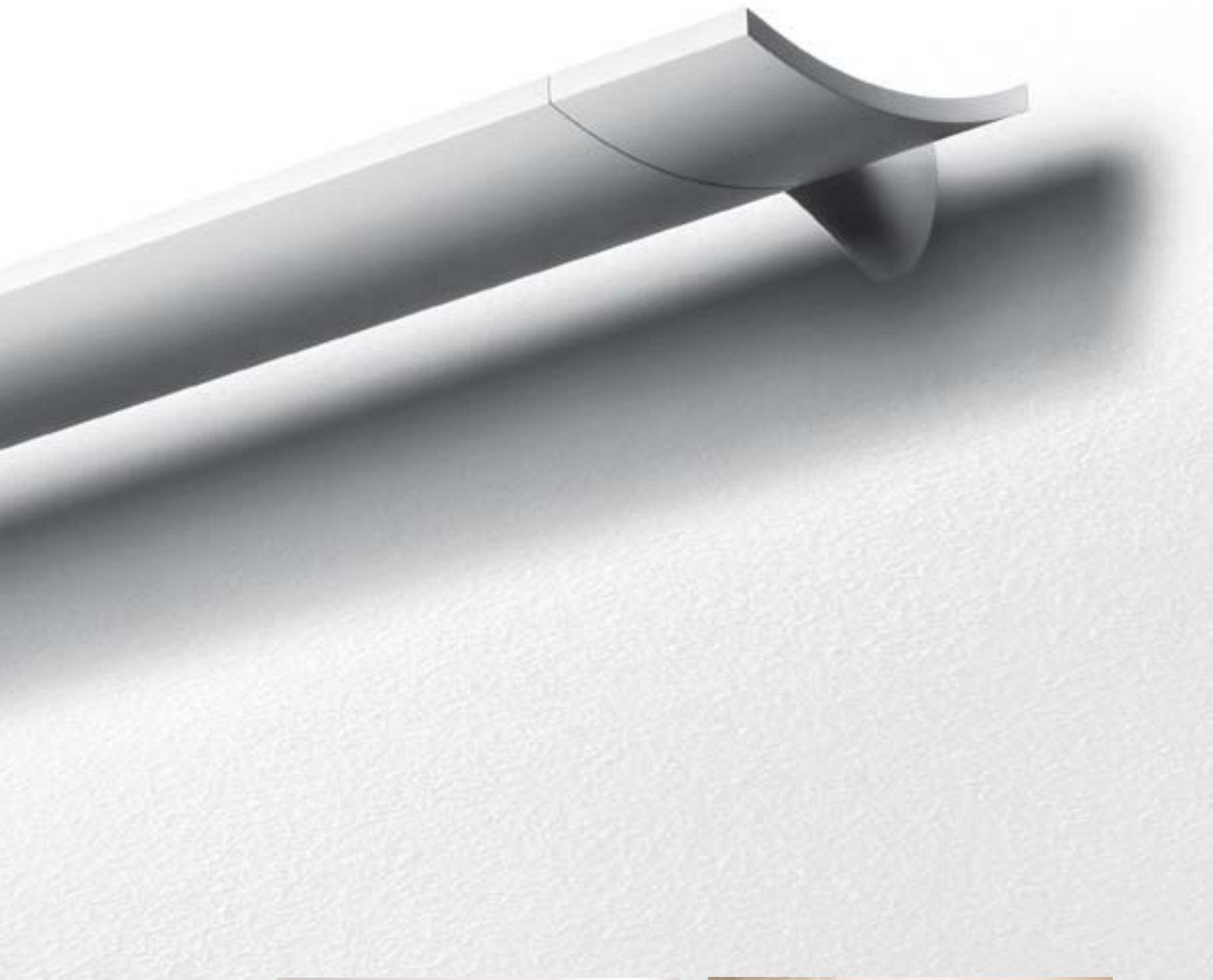


AUTOGRILL, ASSAGO/MILANOFIORI (I), PAOLO MONTERO.

SURF SYSTEM WALL



- MODULAR SYSTEM FOR INDIRECT LIGHTING USING 2x14W TO 2x80W T16 FLUORESCENT LAMPS.
- EXTRUDED ALUMINIUM BODY WITH A WHITE OR GREY PAINT FINISH.
- CAN BE INSTALLED AS A PENDANT LIGHT (**SURF SYSTEM** SUSPENSION) OR WALL LIGHT (**SURF SYSTEM WALL**).
- CONTINUOUS LINEAR MOUNTING OR WITH 90° CONNECTORS, 3 AND 4 WAYS CONNECTORS.
- LIGHT OUTPUT RATIO: 72%.
- ELECTRONIC BALLAST, OR DALI-SWITCHDIM DIMMABLE ELECTRONIC BALLAST, OR **INTERACTIVE-DALI** SYSTEM COMBINING A MOVEMENT DETECTOR AND A DAYLIGHT SENSOR FOR AUTO-REGULATION IN RELATION TO PEOPLE PRESENCE AND VARIATIONS IN DAYLIGHT. EMERGENCY LIGHTING AS AN OPTIONAL EXTRA.
- DUST PROTECTION COVER MADE OF EXTRUDED POLYCARBONATE.
- QUICK ADJUSTMENT STEEL SUSPENSION CABLES.
- COMPLIES WITH STANDARD EN60598-1 AND OTHER SPECIFIC STANDARDS.

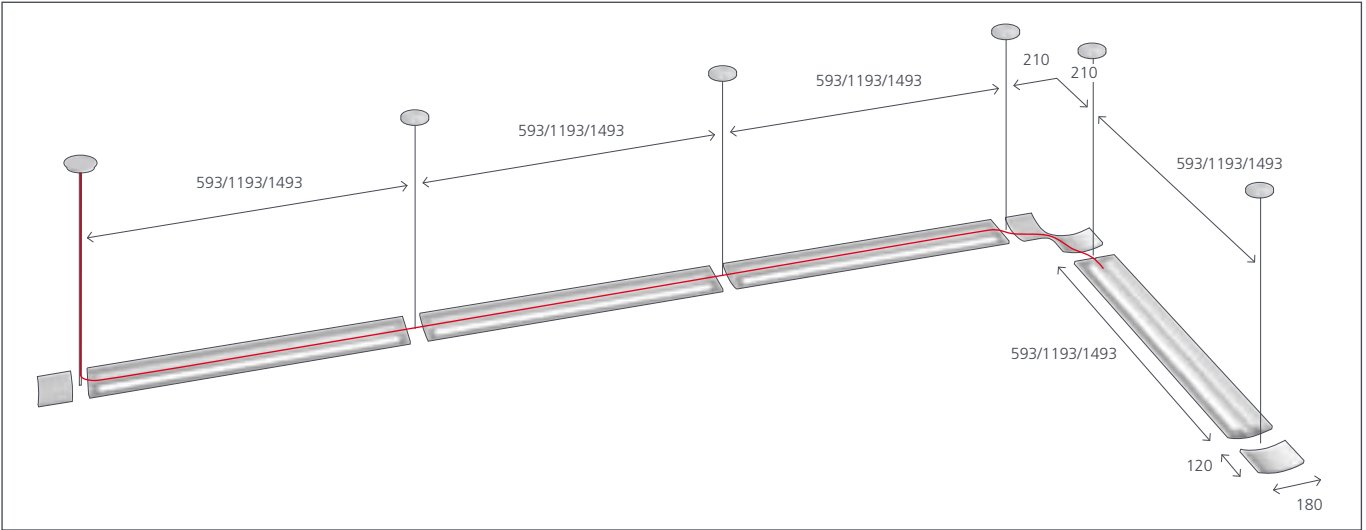


RIVA ACCIAIO, MILAN (I), M.D'AZZO, M.GROH, R.GIULIANI.

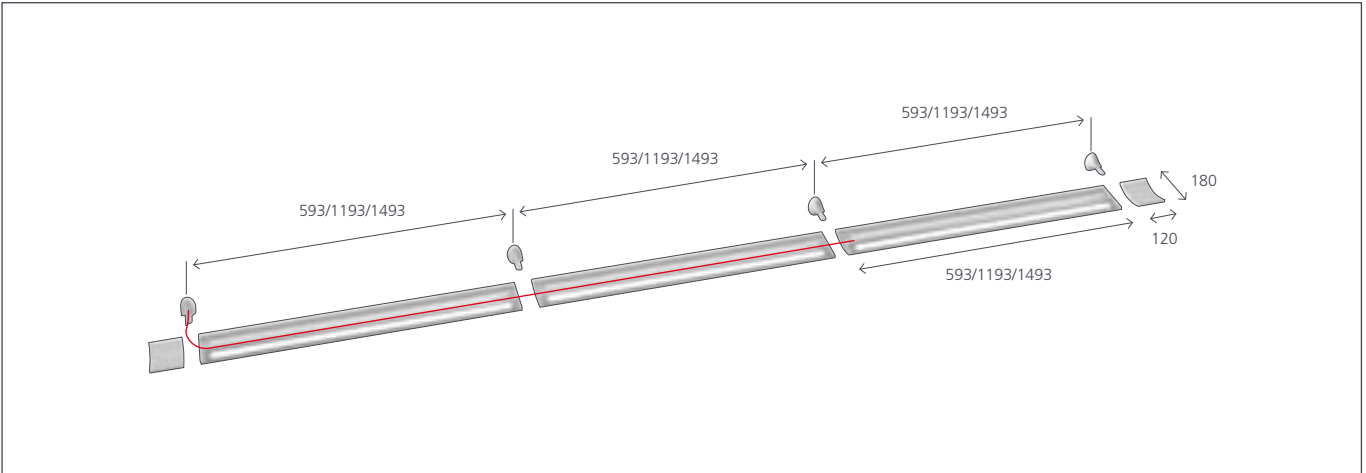


GROUPE ACCOR, EVRY (F).

SURF SYSTEM SUSPENSION


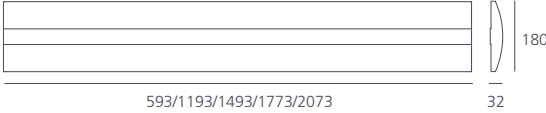



















SURF SYSTEM WALL



NHN CORPORATION HQ'S, BUNDANG-GU (KOR), NBBJ, SAMOO, NHN SPX TEAM.

SURF SYSTEM

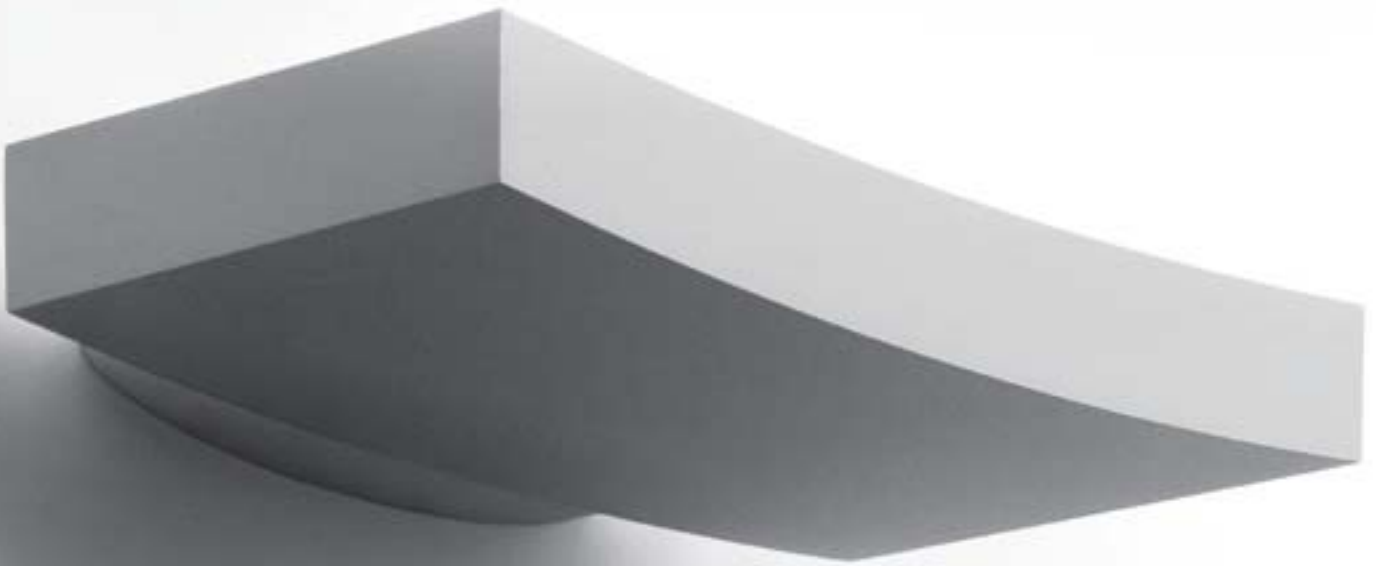
					
	<p>593/1193/1493/1773/2073 32</p>				
<p>⊕ ⊖ IP20 960° ○ white 2 ● grey 9</p>					
<p>T16 (G5)</p> 	CODE	LIGHT SOURCE	LENGTH	WEIGHT	
	M0915.0	T16 (G5) 2x14W non dimmable		593mm	2,50kg
	M0900.0	T16 (G5) 2x28W non dimmable	 	1193mm	3,60kg
	M0901.0	T16 (G5) 2x35W non dimmable	 	1493mm	4,50kg
	M0945.0	T16 (G5) 2x54W non dimmable	 	1193mm	3,60kg
	M0946.0	T16 (G5) 2x80W non dimmable		1493mm	4,50kg
	M0976.0	T16 (G5) 2x24W non dimmable + emergency 1h		1193mm	3,60kg
	M0912.0	T16 (G5) 2x28W non dimmable + emergency 1h		1773mm	5,60kg
	M0913.0	T16 (G5) 2x35W non dimmable + emergency 1h		2073mm	6,50kg
	M0947.0	T16 (G5) 2x28W dimmable DALI	 	1193mm	3,60kg
	M0948.0	T16 (G5) 2x35W dimmable DALI	 	1493mm	4,50kg
	M0949.5	T16 (G5) 2x54W dimmable DALI	 	1193mm	3,60kg
	M0911.5	T16 (G5) 2x80W dimmable DALI		1493mm	4,50kg
	M0949.6	T16 (G5) 2x54W INTERACTIVE-DALI		1193mm	3,60kg

photometric data: see page 435.

SURF SYSTEM COMPONENTS


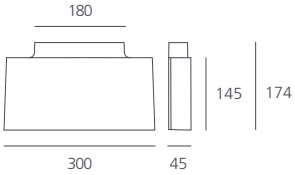







	<p>M0902.0 End plate. 0,70kg. 120x180mm.</p> <p>○ white 2 ● grey 9</p>		<p>M0908.0 Wall fixing (without feed). 55x90mm. Protrusion 50mm.</p> <p>○ white 2 ● grey 9</p>
	<p>M0903.0 L-shaped connector. 1,50kg. 300x300mm.</p> <p>○ white 2 ● grey 9</p>		<p>M0909.0 Wall fixing with feed (3x1,5mm²). 0,20kg. 55x90mm. Protrusion 50mm.</p> <p>○ white 2 ● grey 9</p>
	<p>M0904.0 3-ways connector. 2,30kg. 421x300mm.</p> <p>○ white 2 ● grey 9</p>		<p>M104900 INTERACTIVE-DALI remote control.</p>
	<p>M0905.0 4-ways connector. 3,00kg. 421x421mm.</p> <p>○ white 2 ● grey 9</p>		<p>M074030 INTERACTIVE-DALI kit Ø86mm white, recessed. Can be connected to a max. 11 DALI dimmable units. Is operated through INTERACTIVE-DALI remote control or external push button.</p> <p> Ø72</p>
	<p>M0906.0 Steel suspension cable. Ceiling plate Ø100mm. 1100mm.</p> <p>○ white 2 ● grey 9</p>		<p>M074130 Extension recessed movement detector for INTERACTIVE-DALI system.</p> <p> Ø64</p>
	<p>M0907.0 Suspension with feed cable. Ceiling plate Ø100mm. 1100mm. 3 wires (3x1,5mm²)</p> <p>M0918.0 5 wires (3x1,5mm² + 2x0,5mm²)</p> <p>○ white 2 ● grey 9</p>		

SURF WALL




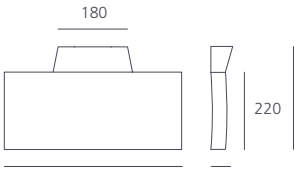









- A RANGE OF WALL LAMPS WITH INDIRECT LIGHTING, USING 300W HALOGEN, 150W METAL-HALIDE AND 1x18W, 2x36W AND 2x55W TC-LEL FLUORESCENT LAMPS.
- ALUMINIUM BODY WITH WHITE OR GREY PAINT FINISH.
- 3 SIZE OPTIONS: 174x300MM, 290x460MM AND 290x600MM.
- ELECTRONIC BALLAST.
- PROTECTIVE GLASS (FOR HALOGEN AND METAL-HALIDE VERSIONS) OR POLYCARBONATE DUST-PROTECTION SCREEN (FOR 2X36-55W TC-LEL VERSIONS).
- COMPLIES WITH STANDARD EN60598-1 AND OTHER SPECIFIC STANDARDS.

SURF WALL 300

		  IP20 960°   white 55  grey 66									
		QT-DE12 (R7s)  TC-LEL (2G11) 	<table border="1"> <thead> <tr> <th>CODE</th> <th>LIGHT SOURCE</th> <th>WEIGHT</th> </tr> </thead> <tbody> <tr> <td>M0609..</td> <td>QT-DE12 (R7s) 1xmax300W</td> <td>1,00kg</td> </tr> <tr> <td>M0663..</td> <td>TC-LEL (2G11) 1x18W</td> <td>1,00kg</td> </tr> </tbody> </table>	CODE	LIGHT SOURCE	WEIGHT	M0609..	QT-DE12 (R7s) 1xmax300W	1,00kg	M0663..	TC-LEL (2G11) 1x18W
CODE	LIGHT SOURCE	WEIGHT									
M0609..	QT-DE12 (R7s) 1xmax300W	1,00kg									
M0663..	TC-LEL (2G11) 1x18W	1,00kg									


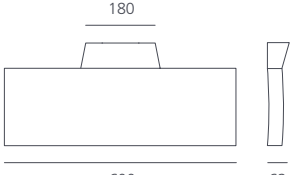






photometric data: see page 438.

SURF WALL 460

		  IP20 960°  white 2  grey 9									
		TC-LEL (2G11)  HIT-DE-CE-h45 (RX7s) 	<table border="1"> <thead> <tr> <th>CODE</th> <th>LIGHT SOURCE</th> <th>WEIGHT</th> </tr> </thead> <tbody> <tr> <td>M0615.0</td> <td>TC-LEL (2G11) 2x36W </td> <td>1,40kg</td> </tr> <tr> <td>M0662.0</td> <td>HIT-DE-CE-h45 (RX7s) 1x150W</td> <td>3,80kg</td> </tr> </tbody> </table>	CODE	LIGHT SOURCE	WEIGHT	M0615.0	TC-LEL (2G11) 2x36W 	1,40kg	M0662.0	HIT-DE-CE-h45 (RX7s) 1x150W
CODE	LIGHT SOURCE	WEIGHT									
M0615.0	TC-LEL (2G11) 2x36W 	1,40kg									
M0662.0	HIT-DE-CE-h45 (RX7s) 1x150W	3,80kg									

photometric data: see page 439.

SURF WALL 600

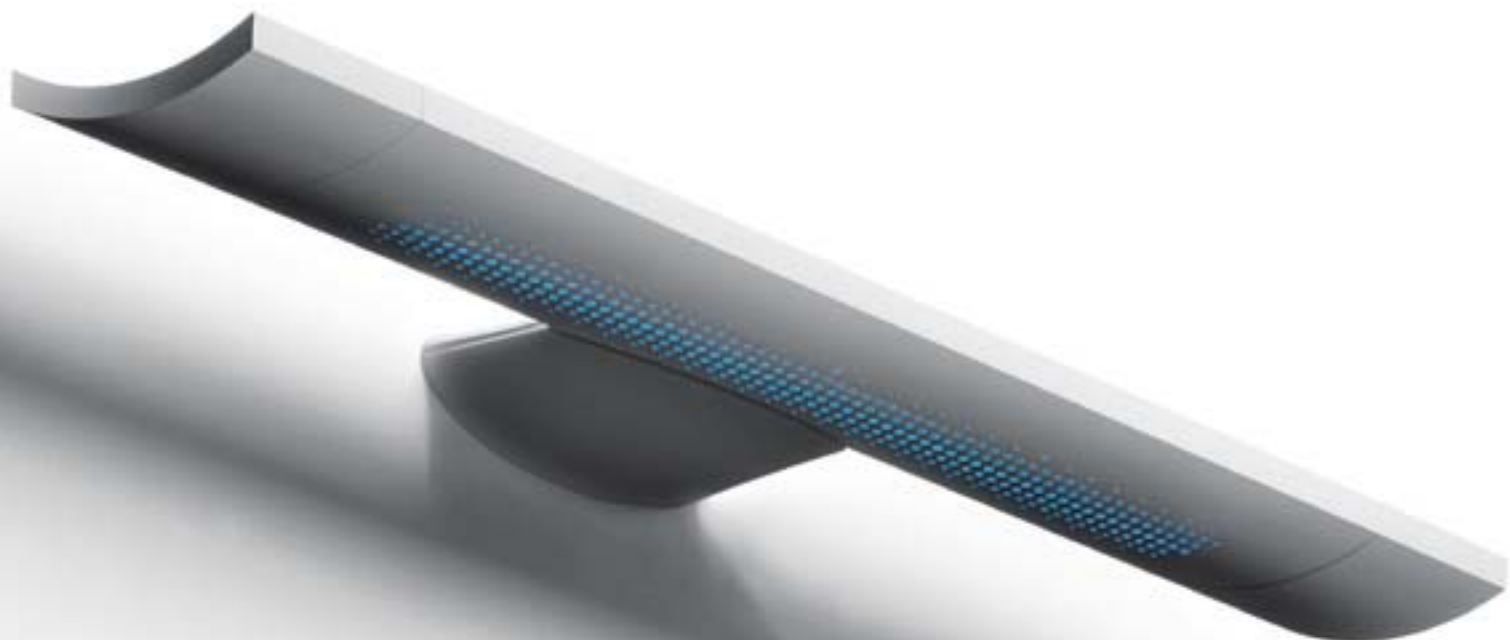
		  IP20 960°   white 2  grey 9						
		TC-LEL (2G11) 	<table border="1"> <thead> <tr> <th>CODE</th> <th>LIGHT SOURCE</th> <th>WEIGHT</th> </tr> </thead> <tbody> <tr> <td>M0607.0</td> <td>TC-LEL (2G11) 2x55W</td> <td>1,80kg</td> </tr> </tbody> </table>	CODE	LIGHT SOURCE	WEIGHT	M0607.0	TC-LEL (2G11) 2x55W
CODE	LIGHT SOURCE	WEIGHT						
M0607.0	TC-LEL (2G11) 2x55W	1,80kg						

photometric data: see page 439.



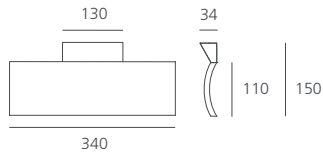
MINISURF WALL

design NEIL POULTON



- A RANGE OF WALL LAMPS WITH INDIRECT LIGHTING, USING 150W HALOGEN AND 24W T16 FLUORESCENT LAMPS.
- ALUMINIUM BODY WITH WHITE OR GREY PAINT FINISH.
- 2 SIZE OPTIONS: 150x340MM AND 170x766MM.
- INTEGRAL ELECTRONIC BALLAST.
- FLUORESCENT VERSION COMES WITH PUNCHINGS AND COLOURED FILTERS (BLUE, ORANGE AND OPAQUE WHITE) FOR A DECORATIVE DIRECT LIGHTING EFFECT.
- COMPLIES WITH STANDARD EN60598-1 AND OTHER SPECIFIC STANDARDS.

MINISURF WALL HALOGEN

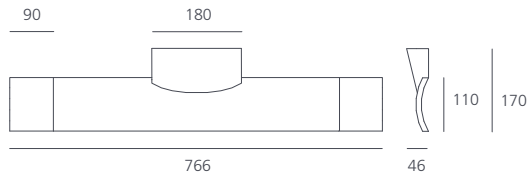


⊕ ⚡ IP20 960° ○ white **2** ● grey **9**

QT-DE12 (R7S)		CODE	LIGHT SOURCE	WEIGHT
		M1443.0	QT-DE12 (R7s) 1xmax150W	0,80kg

photometric data: see page 438.

MINISURF WALL FLUORESCENT



⊕ ⚡ IP20 960° ○ white **2** ● grey **9**

T16 (G5)		CODE	LIGHT SOURCE	WEIGHT
		M1442.0	T16 (G5) 1x24W	2,00kg

photometric data: see page 438.

